

Brass Spring Check Valve - Metal Disc

LV 2288

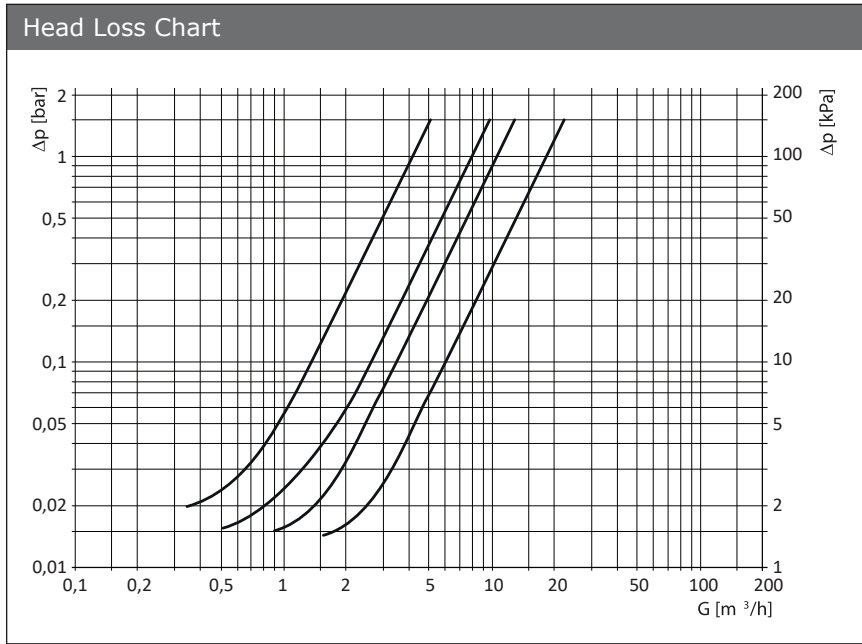
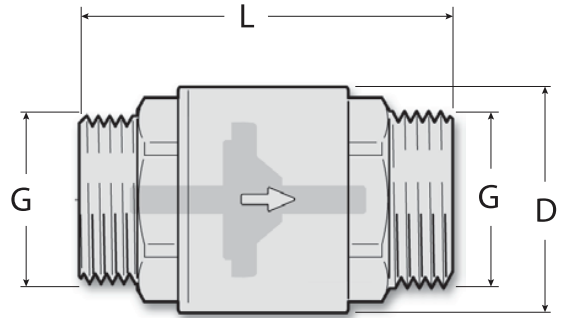
Screwed BSPP Male x Male, Opening Pressure 0.02 Bar, Viton Gasket, Metal Disc



Pressure / Temperature Specifications		
Pressure	PN35	1/2" to 1"
	PN25	1 1/4"
Temperature	0°C to 150°C (-20°C to 175°C Peak)	

Material Specifications		
Body	CW617N Brass	
Disc	1/2" CW614N Brass	3/4" to 1 1/4" CW617N Brass
Gasket	Viton	
Spring	AISI 302 Stainless Steel	

Dimensions			
Size	D	L	Kg
1/2"	30	59	0.13
3/4"	37	64	0.2
1"	44	73	0.33
1 1/4"	56	82	0.54



Flow Rates (M³/h)		
Size	Δp = 1 Bar	Δ = 1.5 Bar
1/2"	4.0	5.2
3/4"	8.0	9.6
1"	10.3	12.0
1 1/4"	18.0	22.5