

# Brass Spring Check Valve - Acetal Disc

LV 2280

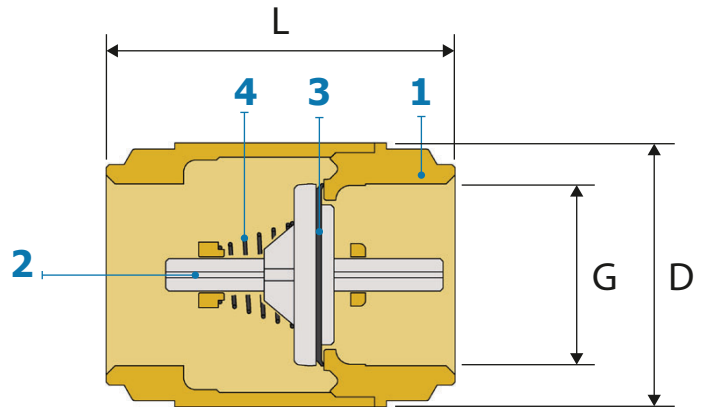
Screwed BSPP, Opening Pressure 0.02 Bar, NBR Gasket



Pressure / Temperature Specifications		
Pressure	PN16	¼" to 1"
	PN10	1¼" to 2"
	PN8	2½" to 4"
Temperature	0°C to 95°C (-20°C to 110°C Peak)	

Material Specifications	
Body	CW617N Brass
Disc	POM
Gasket	NBR
Spring	AISI 302 Stainless Steel

Dimensions				
Size	D	L	Kv	Kg
¼"	29	45	1.3	0.11
⅜"	29	45	2.7	0.09
½"	30	48	4.0	0.1
¾"	37	53	8.0	0.16
1"	44	59	10.3	0.23
1¼"	56	66	18.0	0.35
1½"	63	71	24.0	0.47
2"	78	80	40.0	0.71
2½"	104	93	60.0	1.26
3"	121	104	90.0	1.81
4"	156	119	170.0	3.1



Head Loss Chart

