

Brass Globe Valve - Locking

LV 2008

Screwed BSPT Male x BSPP Female, 90° Angled, Lockable in Closed Position.

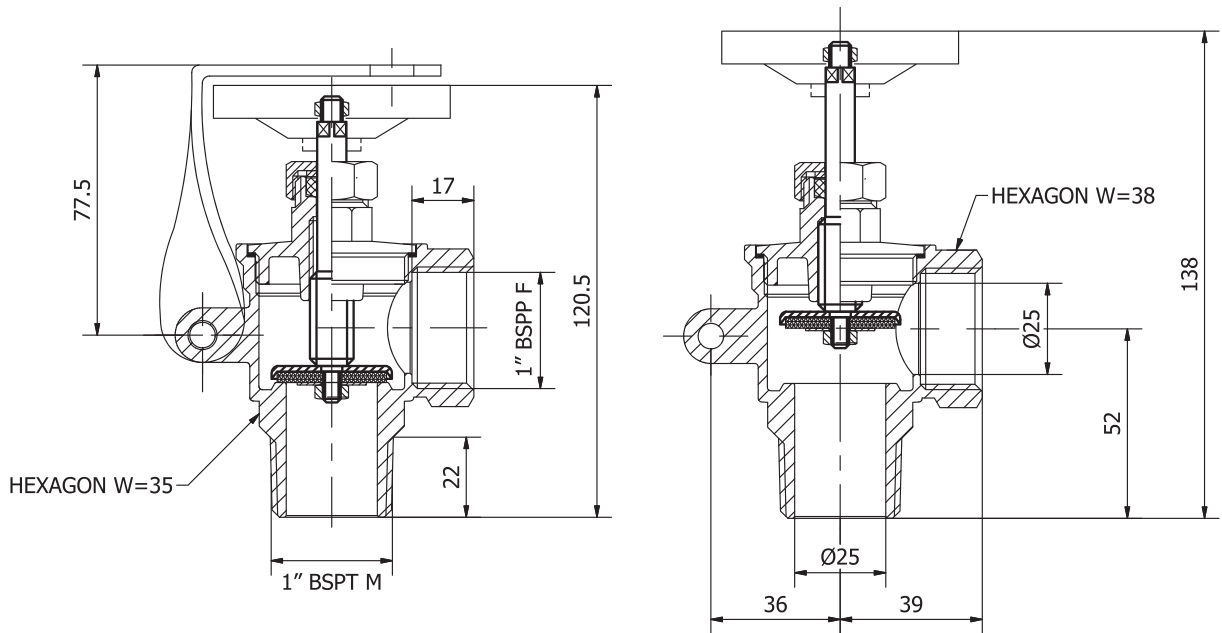


Pressure / Temperature Specifications

Pressure	PN16
Temperature	-20°C to 80°C

Material Specifications

Body	Brass
Disc	Stainless Steel
Bonnet	Brass
Seat	NBR
Locking Device	Steel
Handwheel	Diecast



Last updated 13/11/2024