

Stainless Steel Indicator

LV 1159

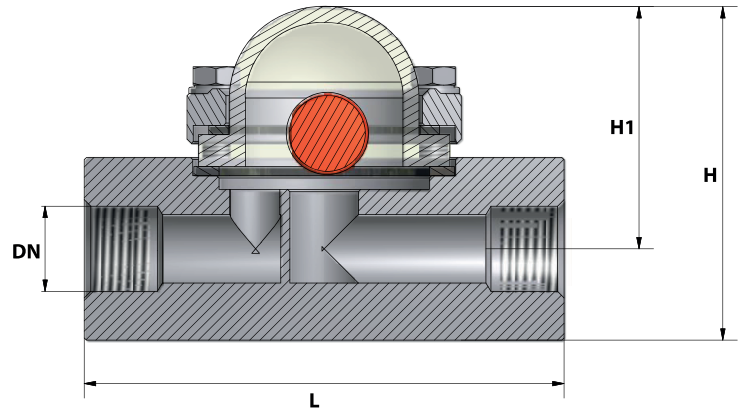
Screwed BSPP, Ingot 316L Stainless Steel Body, Polycarbonate Dome, Moplen Ball



Pressure / Temperature Specifications	
Pressure	PN10
Temperature	-10°C to 100°C

Material Specifications	
Body	Stainless Steel
Ball	Moplen
Gasket	FASIT 400
Dome	Polycarbonate
Gasket	FASIT 205
Cover	AISI 316L Stainless Steel
Washer	Stainless Steel
Screw	A4 Stainless Steel

Dimensions				
DN	H1	H	L	Kg
1/2"	55	73	105	1.3
3/4"	55	73	105	1.3
1"	55	73	105	1.3



Last updated 20/04/2021