

Bronze Gate Valve - PN20

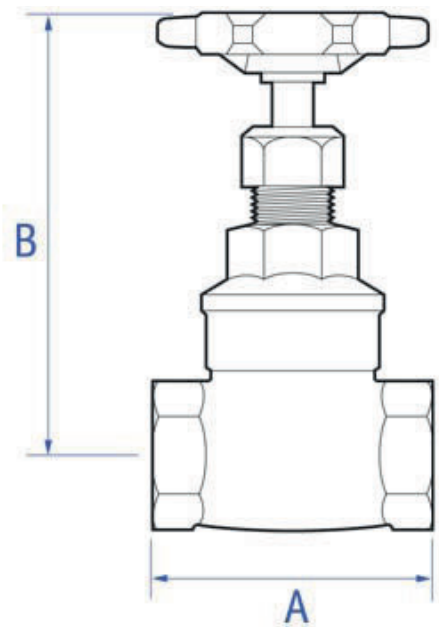
LV 1070/125

Screwed BSPT, to BS5154 Series B

Pressure / Temperature Specifications	
Pressure	PN20
Temperature	-20°C to 180°C

Material Specifications	
Body	Gunmetal Bronze
Bonnet	Brass
Stem	Brass
Wedge	Gunmetal Bronze
Stem Ring	Brass
Gland	Brass
Gland Nut	Brass
Handwheel	Aluminium
Handwheel Nut	Brass
Gland Packing	PTFE
Rating Disc	Aluminium

Dimensions			
Size	A	B	Kg
½"	52	85	0.32
¾"	56	95	0.46
1"	65	110	0.69
1¼"	73	125	1.03
1½"	76	145	1.40
2"	90	170	2.28



Flow Rates						
	½"	¾"	1"	1¼"	1½"	2"
Cv ¹	16.4	37.4	66.7	105.3	150.9	269.1
Kv ²	14.0	32.0	57.0	90.0	129.0	230.0
Kv Gas ³	9.3	18.6	25.3	50.0	65.5	116.6

¹ Flow rate in US GPM at a Pressure Drop of 1 psi

² Flow rate in m³ per hour at a Pressure Drop of 1 bar

³ Flow rate in m³ per hour at a Pressure Drop of 1 bar