

# Brass / Bronze Spring Safety Relief Valve

LV 1019

Screwed BSPP Female, PTFE Seat, Cap Top

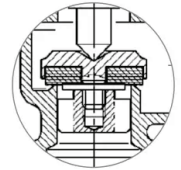
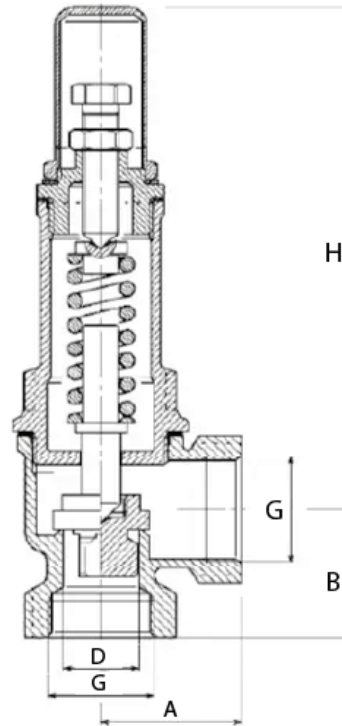


Pressure / Temperature Specifications	
Pressure	PN16 3/8" to 2" PN10 2 1/2" to 4"
Temperature	-10°C to 200°C 3/8" to 3/4" -10°C to 220°C 1" to 4"

Material Specifications		
Body	3/8" to 3/4"	Brass
	1" to 4"	Bronze
Bonnet		Brass
Internals		Brass
Seat		PTFE
Spring		Steel

Dimensions					
G	B	H	A	D	Kg
3/8"	29	125	30	13	0.4
1/2"	28	128	30	15	0.42
3/4"	32	160	36	19	0.67
1"	38	175	47	24.5	1.05
1 1/4"	44	196	57	31.5	1.5
1 1/2"	47	225	62	38	2.22
2"	54	245	72	48	3.4
2 1/2"	72	285	80	64	5.7
3"	74	300	92	75	7.0
4"	84	380	110	96	13.7

Spring Ranges (Bar)			
3/8"	0.1 - 2	2 - 6	6 - 16
1/2"	0.1 - 2	2 - 6	6 - 16
3/4"	0.1 - 2	2 - 6	6 - 16
1"	0.1 - 2	2 - 4	4 - 8 8 - 16
1 1/4"	0.1 - 2	2 - 4	4 - 8 8 - 16
1 1/2"	0.1 - 2	2 - 4	4 - 8 8 - 16
2"	0.1 - 2	2 - 4	4 - 8 8 - 16
2 1/2"	0.1 - 2		2 - 10
3"	0.1 - 2		2 - 10
4"	1.5 - 3.5		5 - 10



versione sede PTFE  
PTFE version