

Back Flow Preventor - Screwed BSPP

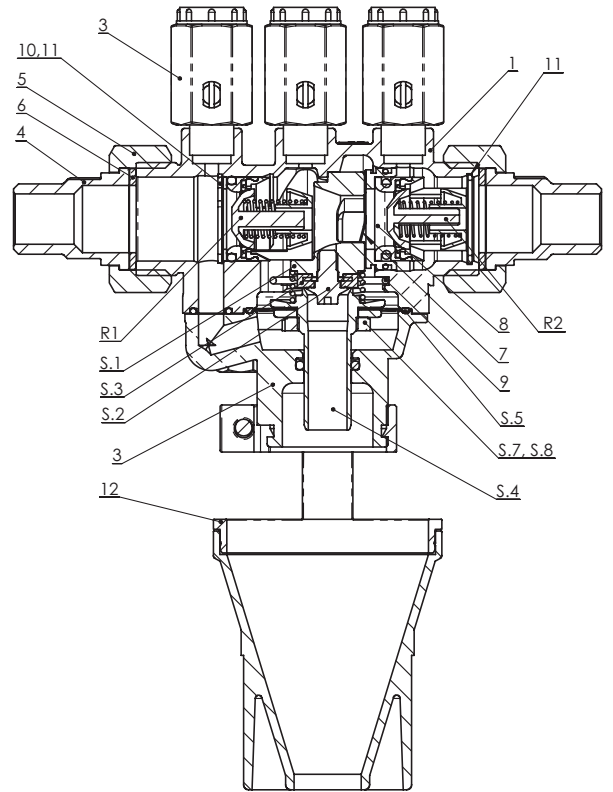
ECO 3 T

Screwed BSPP, Bronze Body, EPDM Seat,
Controllable Reduced Pressure Zone

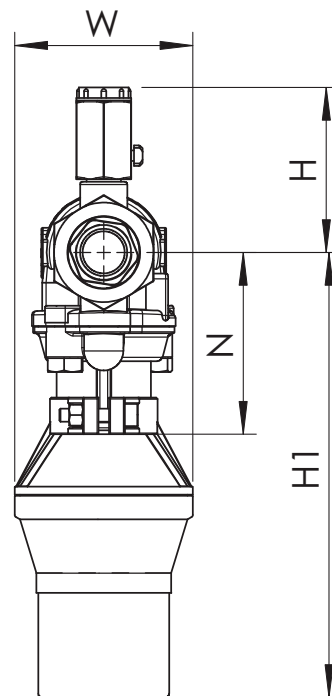
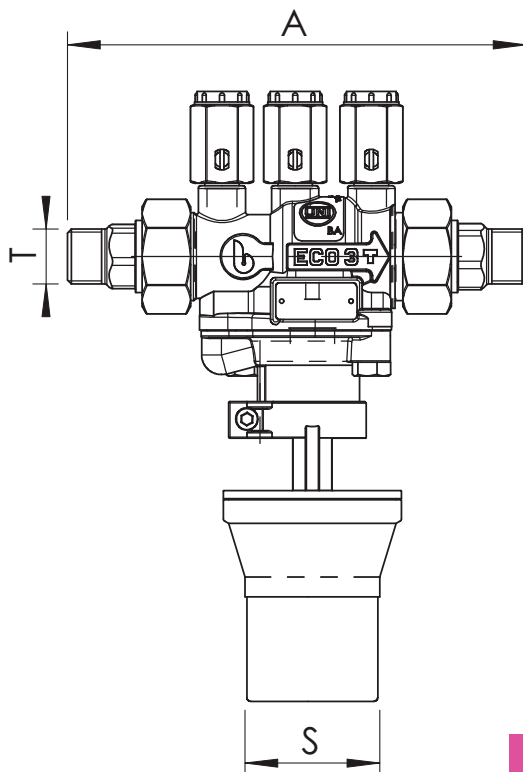


Pressure / Temperature Specifications	
Pressure	PN10
Temperature	0°C to 65°C

1/2" Material Specifications		
1.	Body	OT CW 602N ADZ Bronze
2.	Bonnet	OT CW 602N ADZ Bronze
3.	Valve 1/4" M/F	Brass
4.	Connection	OT CW 602N ADZ Bronze
5.	Ring Nut	OT P/Zn40Pb2 Brass
6.	Gasket	EPDM
7.	Spring	AISI 302 Stainless Steel
8.	Downstream Check Valve Bearing	OT CW 602N ADZ Bronze
9.	Retaining Ring	AISI 302 Stainless Steel
10.	Spacer	OT CW 602N ADZ Bronze
11.	Circlip DIN 472	AISI 304 Stainless Steel
12.	Drain Conveyor	Polypropylene
R1.1	Upstream Check Valve	POM
R2.1	Downstream Check Valve	POM
S.1	Manifold	PPO Noryl
S.2	Shutter Guide	OT CW 602N ADZ Bronze
S.3	Relief Valve Seal	Silicone Rubber
S.4	Relief Valve Shutter	OT CW 602N ADZ Bronze
S.5	Membrane	Neoprene & Nylon
S.6	Relief Valve Spring	AISI 302 Stainless Steel
S.7	Hex Nut	OT CW 602N ADZ Bronze
S.8	Membrane Bearing Plate	OT CW 602N ADZ Bronze
	O-ring	NBR
	Nuts & Bolts	AISI 304 Stainless Steel



Dimensions	
T	1/2"
A	174
H	58
H1	169
N	58
W	68
S	50
Kg	1.45



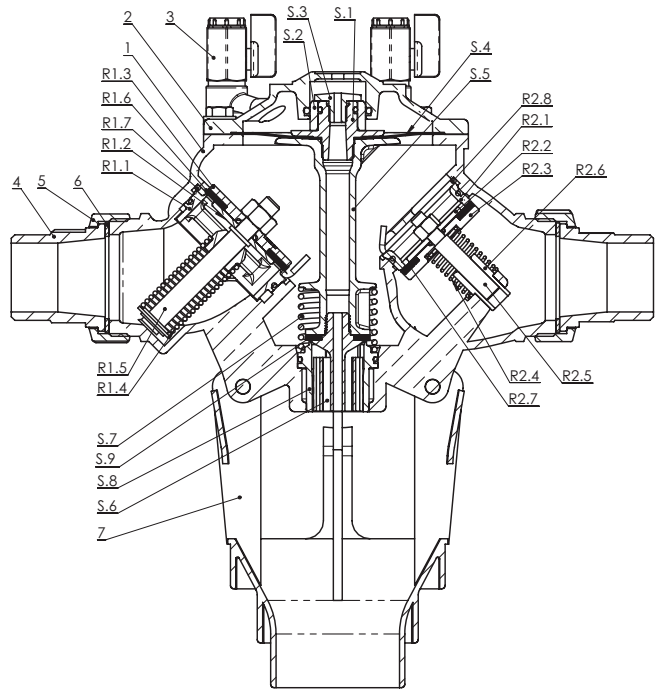
3/4" to 2" Specification on Next Page

Back Flow Preventor - Screwed BSPP

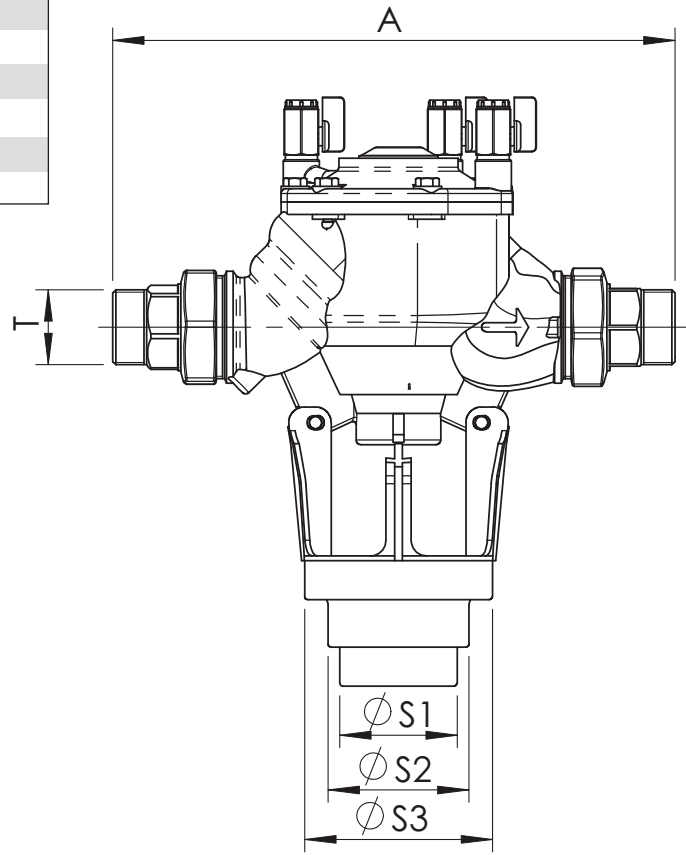
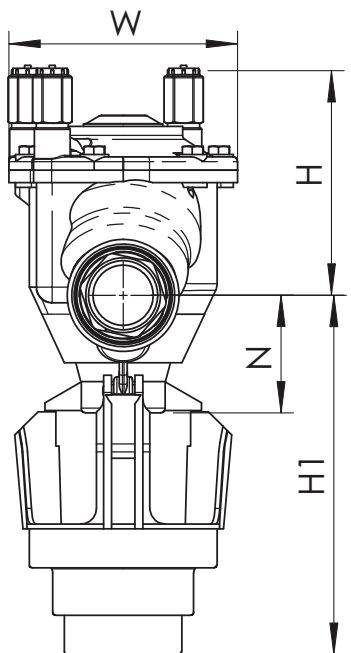
ECO 3 T

3/4" to 2" Material Specifications

1.	Body	CuSn5Zn5Pb5 EN 1982 Bronze
2.	Bonnet	CuSn5Zn5Pb5 EN 1982 Bronze
3.	Valve 1/4" M/F	Brass
4.	Connection	OT CW 602N ADZ Bronze
5.	Ring Nut	OT P/Zn40Pb2 Brass
6.	Gasket	CEFLEX
7.	Drain Conveyor	Polypropylene
R1 Upstream Check Valve		
R1.1	Seat	PPO Noryl
R1.2	Flange	OT CW 602N ADZ Bronze
R1.3	Shutter	OT CW 602N ADZ Bronze
R1.4	Spring	AISI 302 Stainless Steel
R1.5	Stem	OT CW 602N ADZ Bronze
R1.6	Seal	Silicone Rubber
R1.7	Retaining Ring	AISI 302 Stainless Steel
R2 Downstream Check Valve		
R2.1	Seat	CuSn5Zn5Pb5 EN 1982 Bronze
R2.2	Flange	OT CW 602N ADZ Bronze
R2.3	Shutter	OT CW 602N ADZ Bronze
R2.4	Spring	AISI 302 Stainless Steel
R2.5	Stem	OT CW 602N ADZ Bronze
R2.6	Stem Guide	OT CW 602N ADZ Bronze
R2.7	Seal	Silicone Rubber
R2.8	Retaining Ring	AISI 302 Stainless Steel
S.1	Equalizer	PPO Noryl
S.2	Equalizer Bush	PTFE + Carbon
S.3	Equalizer Cap	OT P/Zn40Pb2 Brass
S.4	Membrane	Neoprene & Nylon
S.5	Stem	PPO Noryl
S.6	Relief Valve Shutter	PPO Noryl
S.7	Relief Valve Spring	AISI 302 Stainless Steel
S.8	Relief Valve Seat	OT CW 602N ADZ Bronze
S.9	Relief Valve Seal	Silicone Rubber
	O-ring	NBR
	Nuts & Bolts	AISI 304 Stainless Steel



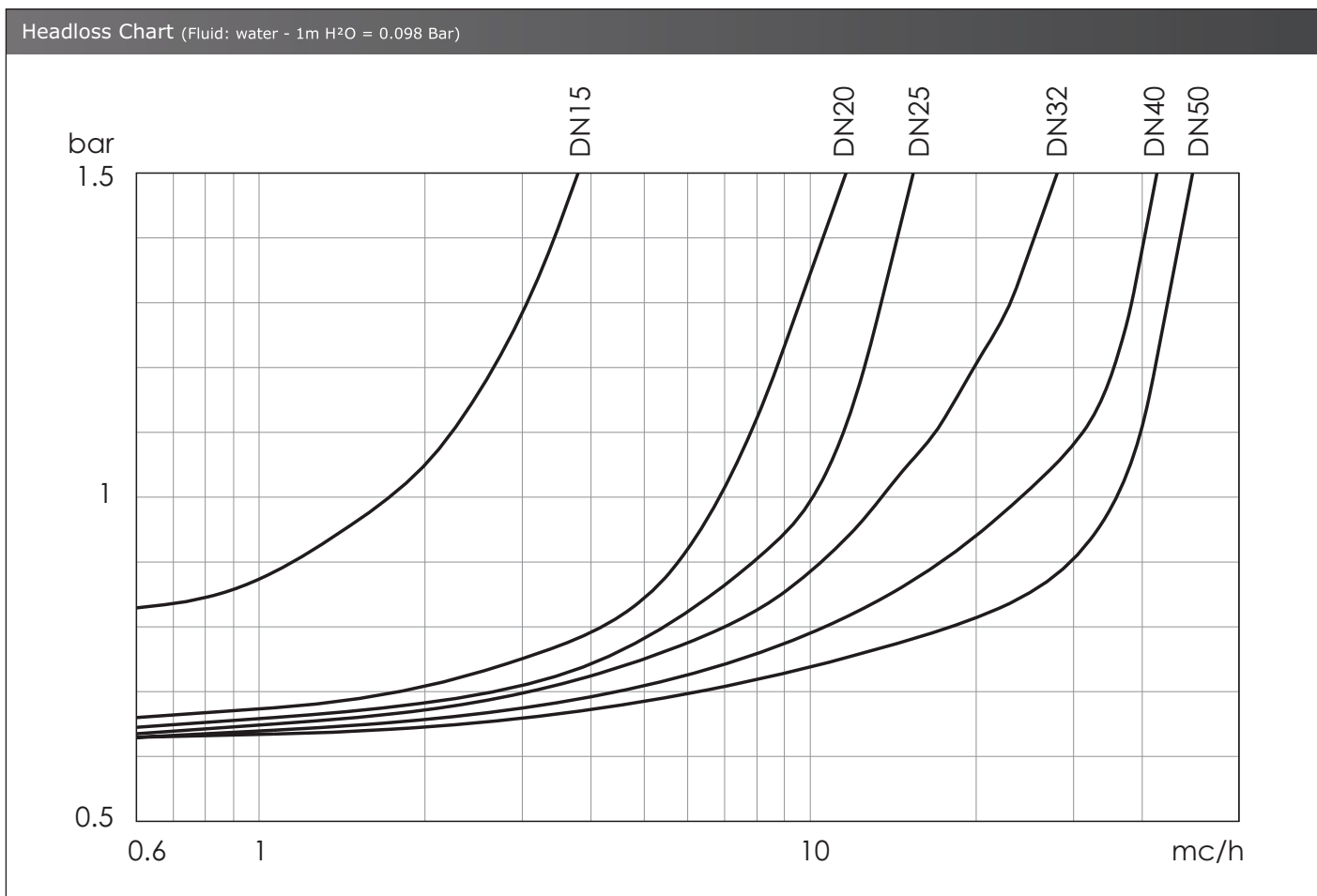
Dimensions					
T	3/4"	1"	1 1/4"	1 1/2"	2"
A	258	258	357	357	428
H	107	107	140	140	159
H1	186	186	230	230	243
N	55	55	75	75	88
W	106	106	146	146	181
S1/2/3	63	63	75/90/120		
Kg	4.0	4.0	9.0	9.0	13.0



Headloss & KV Information on Next Page

Back Flow Preventor - Screwed BSPP

ECO 3 T



Minimum Flow Rate (mc/h) in Function of Headloss						
Size	1/2"	3/4"	1"	1 1/4"	1 1/2"	2"
Headloss 1 Bar	1.9	3.4	5.3	8.7	13.6	21.2
Headloss 1.5 Bar	2.9	5.1	7.9	13.0	20.3	21.8

KV Values						
Size	1/2"	3/4"	1"	1 1/4"	1 1/2"	2"
KV	1.76	6.7	9.7	13.5	25.0	38.6

All information is sourced from our manufacturer's data and is intended for guidance only - Leengate Valves can accept no liability for changes, omissions or errors.