

# Stainless Steel Solenoid Valve - Servo-assisted

Screwed BSPP, 2/2 Way, Stainless Steel Body, Servo-assisted



Available Coils (Please specify at time of order)

V AC				V DC	
24	110	230	240	12	24

Temperature Specifications

Temperature -10°C to 140°C

Pressure Specifications (Bar)

Size	3/8"	1/2"	3/4"	1"
Minimum	0.15	0.15	0.15	0.15
Maximum	25.0	25.0	25.0	25.0

Kv Values

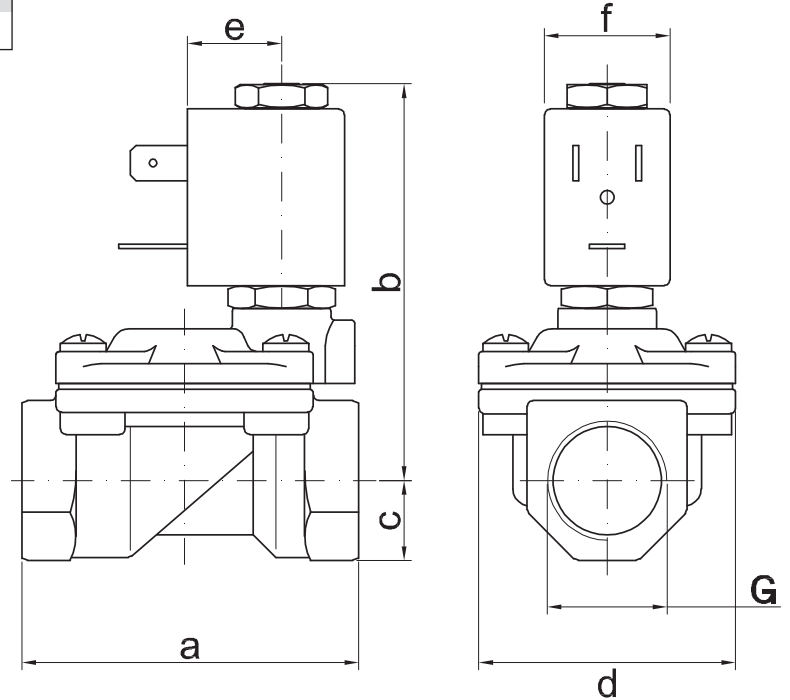
Size	3/8"	1/2"	3/4"	1"
Kv	2.2	2.5	5.5	10.2

Material Specification

Body	316 Stainless Steel
Cover	316 Stainless Steel
Armature Tube	303 Stainless Steel
Plunger & Core	430FR Stainless Steel
Springs	302 Stainless Steel
Diaphragm	EPDM

Dimensions

G	3/8"	1/2"	3/4"	1"
a	59	59	79	96
b	73	73	76	85
c	14	14	18	20
d	45	45	55	72
e	16	16	16	16
f	22	22	22	22
Kg	0.30	0.32	0.55	0.95



ACL 177 (Normally Closed) & ACL 277 (Normally Open)

DIN 43650 A

