

Carbon Steel Ball Valve - Butt Weld - Reduced Bore

LV8815

Butt Weld Ends, Welded A105 Carbon Steel Body, Stainless Steel Ball & Stem, PTFE Seats, Reduced Bore, Firesafe Design, Lever Operated up to 10", 12" Gearbox Operated, Face to Face to DIN 3202 S14

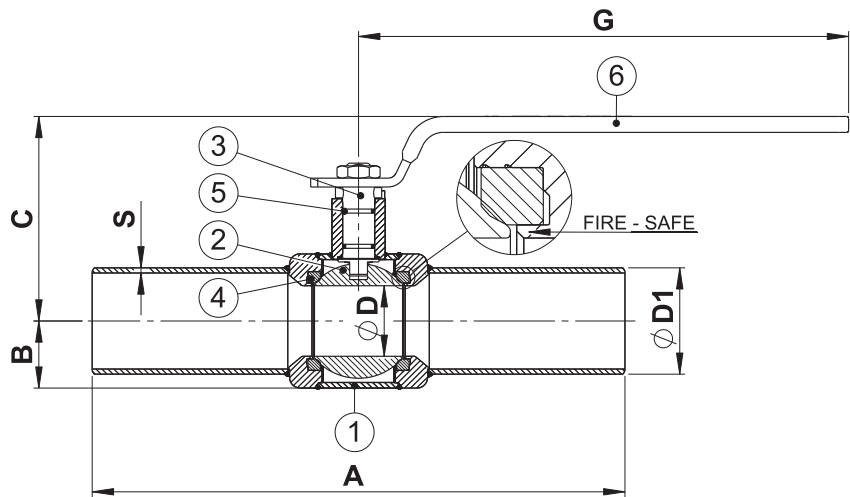


Pressure / Temperature Specifications	
Pressure	PN40 3/4" to 2"
	PN25 2 1/2" to 5"
	PN25 6" to 12"
Temperature	-20°C to 200°C

Material Specifications	
1. Body	WCB Carbon Steel
2. Ball	AISI 304 Stainless Steel
3. Stem	AISI 420 Stainless Steel
4. Seats	PTFE
5. O-ring	PTFE
6. Handle	Galvanized Carbon Steel

Dimensions									
Size	A	B	C	ØD	ØD1	G	S	Kg	
3/4"	270	16.9	71.6	15.8	26.9	161	2.6	0.81	
1"	270	21.2	82.7	20	33.7	161	2.6	1.05	
1 1/4"	270	24.2	90.3	25	42.4	161	2.6	1.35	
1 1/2"	270	30.2	108.3	31	48.3	237	2.9	1.91	
2"	300	38.1	116	40	60.3	276	2.9	3.78	
2 1/2"	360	44.5	122.5	50	76.1	276	3.2	5.37	
3"	390	57.2	148.6	63.5	88.9	340	3.2	9.19	
4"	450	69.9	160.6	78	114.3	340	3.6	14.4	
5"	525	84.2	174.6	99	139.7	340	4.0	22.2	
6"	600	109.6	219	125	168.3	545	4.5	33.5	
8"	600	136.5	246	150	219.1	545	6.3	56.0	
10"	730	177.8	322.5	200	273	1,000	6.3	116.5	
12"	850	209.5	495	250	323.9	305	7.1	176.2	

3/4" to 10"



12"

