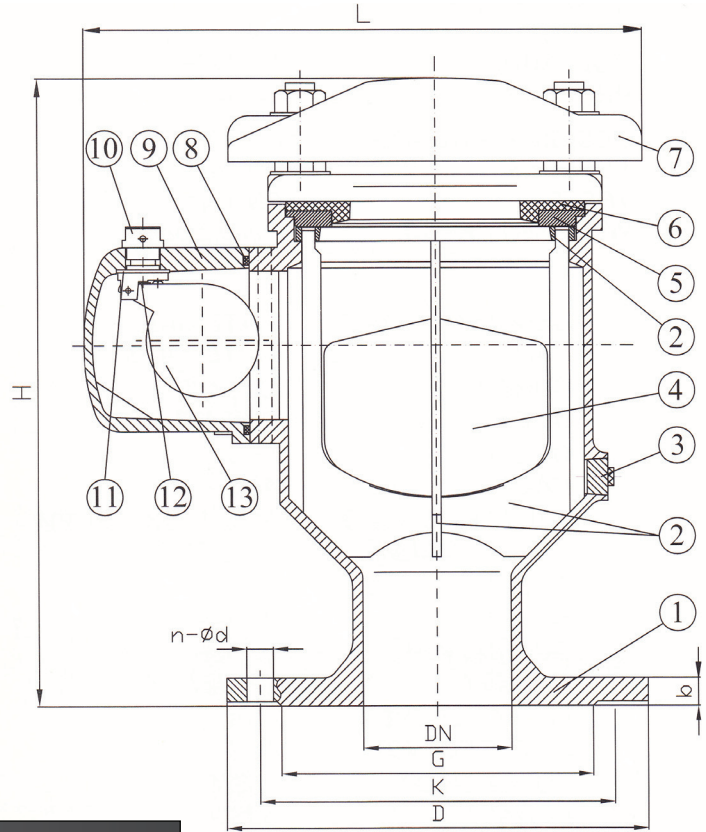


## Air Release Valve - Double Float

Ductile Iron Body & Bonnet, ABS Float., to suit PN10/16 Flanges

### Material List

1.	Body	GJS 400
2.	Cage	ABS
3.	Needle Valve	AISI 304
4.	Float	ABS
5.	Gasket	EPDM
6.	Flange	ABS
7.	Bonnet	GJS 400
8.	O-ring	NBR
9.	Corpo	GJS 400
10.	Orifice Cover	PA
11.	Gasket	EPDM
12.	Sealing Face	EPDM
13.	Float	ABS



### Dimensions

Size	G	K	D	n-ød	b	L	H	Kg
2"	98	125	165	4-19	19	330	319	21
2½"	118	145	185	4-19	19	330	319	21.5
3"	132	160	200	8-19	19	342	319	22
4"	156	180	220	8-19	19	378	413	34.5
6"	211	240	285	8-19	19	378	413	38.5