

Brass Ball Valve - BSI Gas Approved - HTB - with Neck Extension

RIV PROFESSIONAL



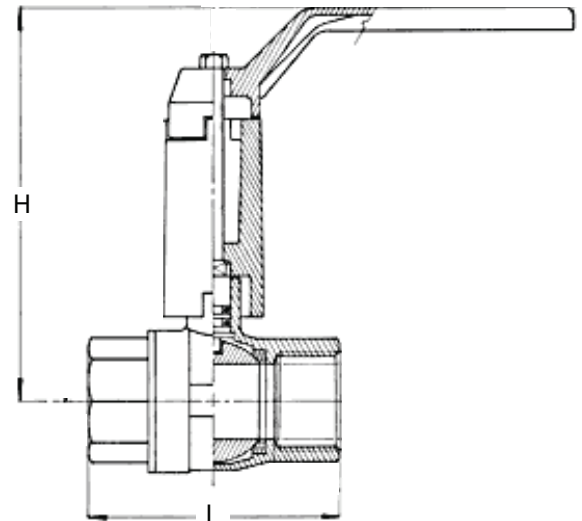
LV7169

Screwed **BSPP**, Nickel Plated HT Brass Body, Full Bore, Yellow PVC Coated Steel Lever, with Neck Extension

Pressure / Temperature Specifications	
Pressure	PN64 ¼" to ½"
	PN40 ¾" & 2½"
	PN32 3"
	PN25 4"
Liquid Temperature	-20°C to 150°C
Gas Temperature	-20°C to 70°C

Material Specifications	
Body	Nickel Plated Brass CW 617 N
Body End	Nickel Plated Brass CW 617 N
Ball	Chrome Plated Brass CW 617 N
Seat	PTFE
O-ring	FKM
O-ring	NBR
Stem	Brass CW 614 N
Lever	Aluminium
Screw	Zinc Plated Steel
Extension Spindle	Cast Aluminium

Dimensions		
Size	H	L
¼"	99	45
⅜"	99	45
½"	111	59
¾"	125	69
1"	128	83
1¼"	145	94
1½"	157	102
2"	165	124
2½"	--- on application ---	
3"	--- on application ---	
4"	--- on application ---	



Further valve detail can be found on our LV7160 datasheet

All information is sourced from our manufacturer's data and is intended for guidance only - Leengate Valves can accept no liability for changes, omissions or errors.