

LV 6245

Stainless Steel Ball Valve – Two-Piece Male x Female

Screwed BSPP Male x Female, Full Bore, Stainless Steel Body, Ball & Stem, PTFE Seats & Seal, Anti-blowout Stem.



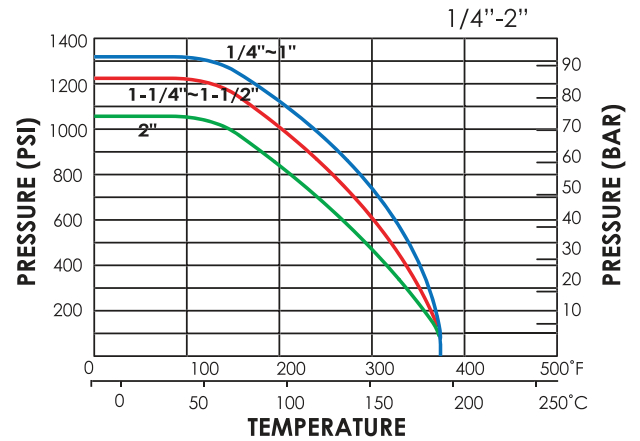
Pressure/Temperature Ratings

Pressure	PN63 Rated
Temperature	-10°C to 180°C

Material List

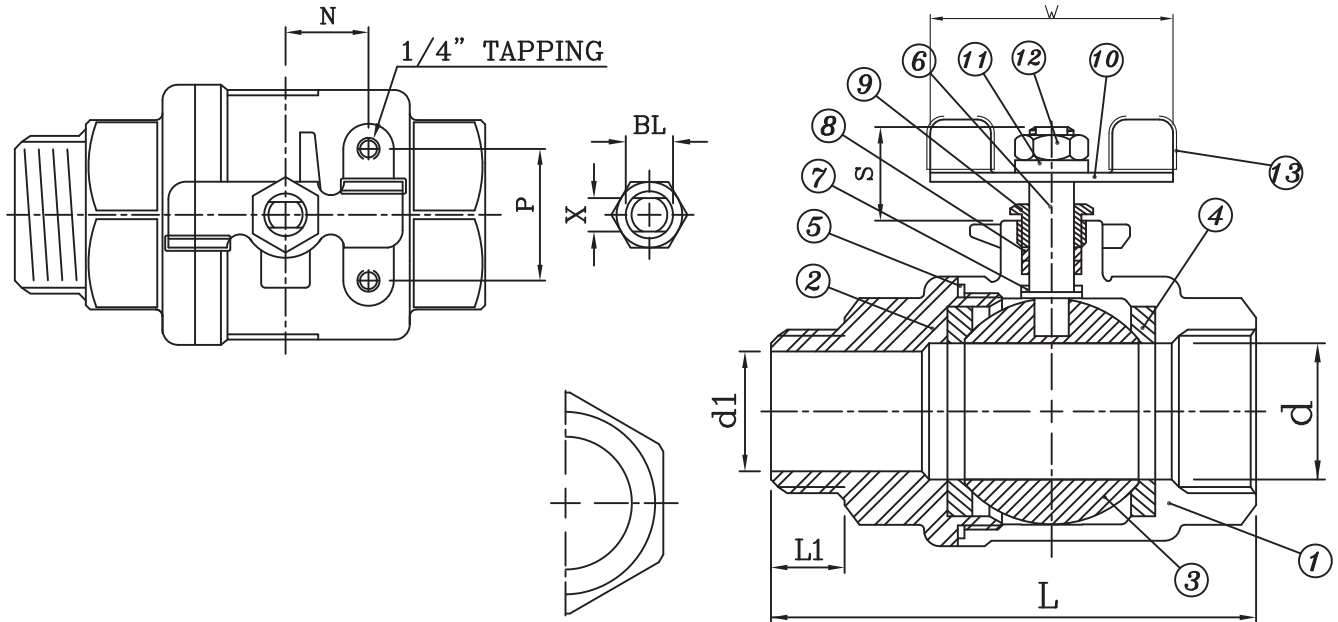
No#	Part	Material
1	Body	Stainless Steel ASTM-A351-CF8M
2	Cap	Stainless Steel ASTM-A351-CF8M
3	Ball	Stainless Steel ASTM-A351-CF8M
4	Ball Seat	15% R-PTFE
5	Joint Gasket	PTFE
6	Stem	Stainless Steel AISI 316
7	Thrust Washer	PTFE
8	Stem Packing	PTFE
9	Gland Nut	Stainless Steel AISI 304
10	T-Handle	Stainless Steel AISI 304
11	Spring Washer	Stainless Steel AISI 304
12	Stem Nut	Stainless Steel AISI 304
13	T-Handle Sleeve	Plastic

PRESSURE TEMPERATURE RATING



Dimensional Information on Page 2

Stainless Steel Ball Valve – Two-Piece Male x Female



Dimensions

Size	Ød	Ød1	L	L1	W	S	X	BL	N	P	Cv	Torque
1/4"	11.6	7	63	12.6	60.2	16.5	5	5/16"	12.5	28.5	6.6	40
3/8"	12.7	8.5	63.5	13.2	60.2	16.5	5	5/16"	12.5	28.5	7.9	40
1/2"	15	12.5	74	16.7	60.2	16.5	5	5/16"	12.5	28.5	11.2	54
3/4"	20	17.5	82	18.2	80	20	6.5	3/8"	21	34.8	21	74
1"	25	23.6	98.5	21	100	23.5	8	7/16"	22.5	34.8	35	104
1 1/4"	32	30.8	112.4	23.5	100	23.5	8	7/16"	23.5	38.1	57	135
1 1/2"	38	36.6	126.4	23.5	100	25.5	9	1/2"	23.5	38.1	80	180
2"	50	47.5	151.7	27.8	100	25.5	9	1/2"	23.5	38.1	148	250