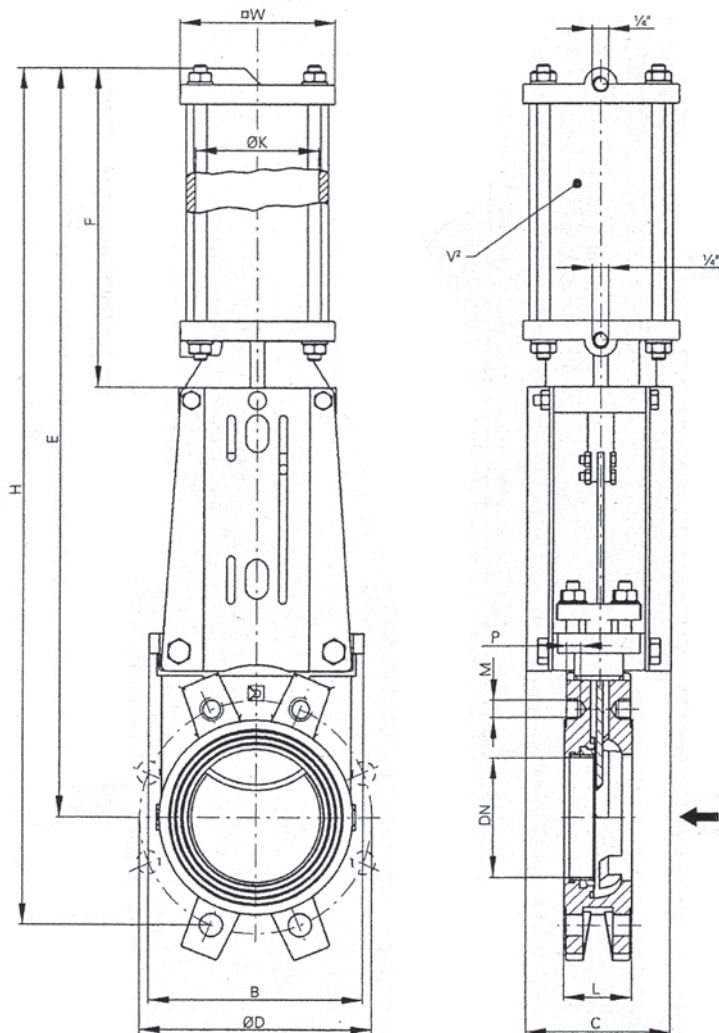
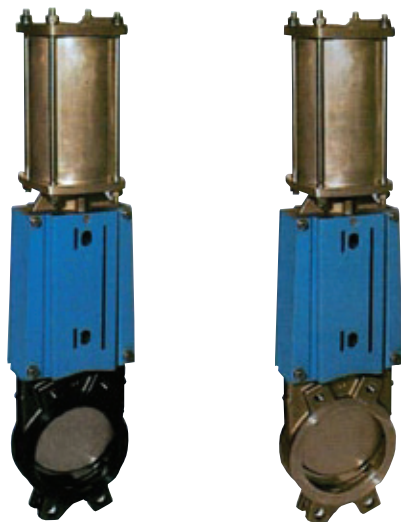


LV 5805
LV 5815

Cast Iron Knife Gate Valve – Unidirectional – LV 5805 Stainless Steel Knife Gate Valve – Unidirectional – LV 5815

Double Acting Pneumatic Actuator, to suit PN10
See following pages for more technical information



Pressure/Temperature Ratings

Size	50mm - 400mm see table below
Temperature	-35°C to +120°C

Material List	5805	5815
Body	GG25	CF8M
Gate	Stainless Steel 304	Stainless Steel 316
Seat	EPDM	EPDM
Seat Options	Metal/Nitrile, PTFE, Viton or Silicon	Metal/Nitrile, PTFE, Viton or Silicon

Dimensions

DN	ØD	ØK	H	L	E	F	B	C	W	n	M	P	V ²	J	bar	Kg
50	125	80	491	43	446	195	116	102	103	4	M16	8	573	1/4	10	9
65	145	80	543	46	491	205	131	102	103	4	M16	9	625	1/4	10	10
80	160	80	591	46	519	220	146	102	103	8	M16	9	692	1/4	10	11
100	180	100	664	52	575	245	166	112	120	8	M16	9	1.260	1/4	10	14
125	210	125	738	56	640	280	197	112	150	8	M16	9	2.342	1/4	10	19
150	240	125	829	56	714	300	222	112	150	8	M20	10	2.610	1/4	10	22
200	295	160	1.025	60	885	365	275	130	185	8	M20	10	5.231	1/4	8	38
250	350	200	1.230	68	1.056	438	332	130	228	12	M20	12	10.053	1/4	7	57
300	400	200	1.413	78	1.216	488	386	130	228	12	M20	12	11.574	1/4	6	75
350	460	250	1.590	96	1.360	541	437	196	410	16	M20	20		3/8	6	135
400	515	250	1.770	100	1.512	591	491	196	410	16	M24	23		3/8	5	165

Technical Data for all Knife Gate Valve Products

Design:	center body consists of 1 part to be mounted between two flanges according to EN 1092-1 type 11 form B -PN10 (former DIN 2501), ANSI 150 on request.	Temperature range:	metal: on request NBR: -25°C ... +90°C EPDM: -35°C ... +120°C PTFE, FKM, Silicone – on request
Media:	liquid and soiled media with fibre particles, viscous media, drain water, sludge, food etc. (plastic granulates, powder, sand or similar media on request). Not suitable for steam.	Face to face:	EN 558-1 row 20
Body:	GG-25 (grey cast iron), polyester-coated (heat treatment by 190°C, 20min) or stainless steel 1.4408	Design:	1-part body, flange-dimensions and drilling holes according to PN10 (ANSI on request) Grinded knife 3-part gland Stem cover ready for mounting limit switches (DN350 ... DN400 on request) Double stem bearing, knife is lead against or towards the sealing at the end of the closing process, thus avoiding any friction during the adjusting process and causing a lower torque Stand handwheel St 37, no casting
Sealing:	metal/metal, NBR, EPDM (FKM or PTFE on request)	Leaking rate:	Please note that you have to calculate for all metallic sealing knife-gate-valves with a leaking rate of appr. 0.4% of the Kv-value (for liquid media).
Gland:	3-piece sealing set: 2 x natural fibre, PTFE-coated 1 x NBR-, EPDM or FKM-ring		
Knife:	stainless steel 1.4301 or 1.4401		
Stem:	stainless steel 1.4301 or 1.4401		
Handwheel:	steel, lacquered		
Pressure discharge:	one-sided, two-sided on request		
Stem:	not rising		
Pressure range:	please refer to the table		