

Ductile Iron Ball Valve - Flanged PN16 - Direct Mount

LV 5556

ISO 5211 for Direct Mount, Flanged PN16, Ductile Iron Body, Brass Ball & Stem, RPTFE Seats, Viton O-rings, Steel Lever Operated, DIN 3202 F4 Face to Face 1/2" to 6", F5 8"

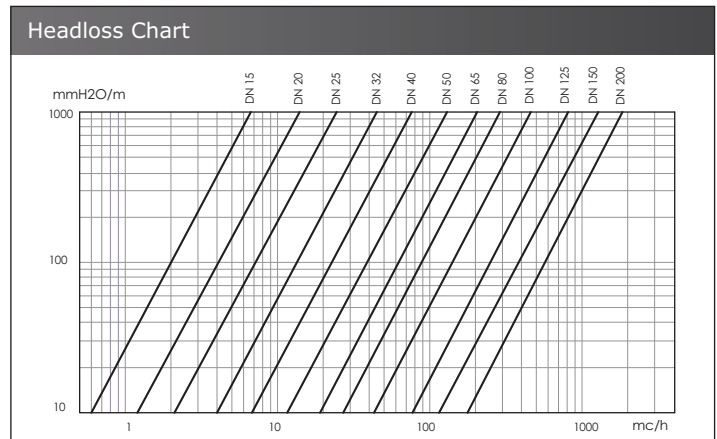
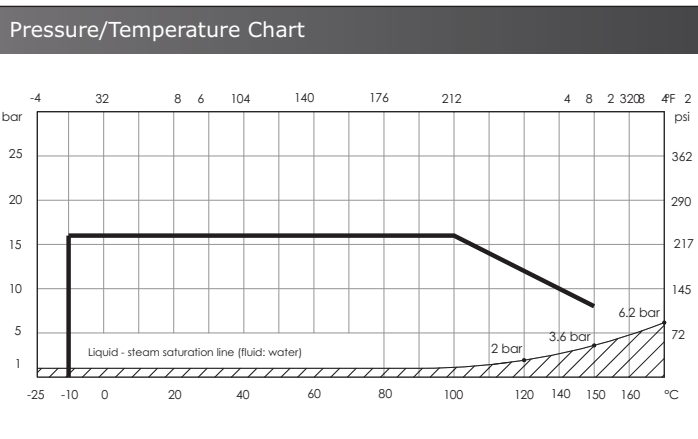
| Material Specifications | |
|-------------------------|---|
| 1. Body | EN GJS 400-15 Epoxy Coated Ductile Iron |
| 2. Flange | EN GJS 400-15 Epoxy Coated Ductile Iron |
| 3. Ball | CuZn40Pb2 Chrome Plated Brass |
| 4. Ball Seat | Reinforced PTFE |
| 5. Stem | CuZn40Pb2 Brass |
| 6. Sliding Washer | PTFE |
| 7. Ring | CuZn40Pb2 Brass |
| 8. O-ring | Viton |
| 9. Lever | Epoxy Coated Carbon Steel |
| 10. Stop Plate | Galvanized Carbon Steel |
| 11. Spring Washer | Galvanized Carbon Steel |

| Pressure / Temperature Specifications | |
|---------------------------------------|----------------|
| Pressure | PN16 |
| Temperature | -10°C to 150°C |



| Dimensions | | | | | | | | | | | | | |
|--------------|------|------|------|--------|--------|-------|--------|-------|--------|--------|--------|--------|--|
| DN | 1/2" | 3/4" | 1" | 1 1/4" | 1 1/2" | 2" | 2 1/2" | 3" | 4" | 5" | 6" | 8" | |
| P | 15 | 20 | 25 | 32 | 40 | 50 | 63 | 76 | 95 | 120 | 145 | 190 | |
| A | 115 | 120 | 125 | 130 | 140 | 150 | 170 | 180 | 190 | 200 | 210 | 400 | |
| H | 84 | 84 | 96 | 101 | 125 | 135 | 143 | 165 | 180 | 225 | 243 | 320 | |
| H1 | 50.5 | 52 | 59 | 64 | 78.5 | 87 | 95 | 118 | 132.5 | 165 | 182.5 | 230 | |
| B | 160 | 160 | 170 | 170 | 230 | 230 | 230 | 280 | 360 | 450 | 560 | 1000 | |
| C | 95 | 105 | 115 | 140 | 150 | 165 | 185 | 200 | 220 | 250 | 285 | 340 | |
| ISO | F04 | F04 | F04 | F04 | F05 | F05 | F05 | F07 | F07 | F10 | F10 | F12 | |
| J | 42 | 42 | 42 | 42 | 50 | 50 | 50 | 70 | 70 | 102 | 102 | 125 | |
| n°xØq | 4x6 | 4x6 | 4x6 | 4x6 | 4x7 | 4x7 | 4x7 | 4x9 | 4x9 | 4x11 | 4x11 | 4x13 | |
| E | 11.5 | 11.5 | 14.5 | 14.5 | 17.5 | 17.5 | 17.5 | 20 | 20 | 24.5 | 24.5 | 27 | |
| S | 9 | 9 | 11 | 11 | 14 | 14 | 14 | 17 | 17 | 22 | 22 | 27 | |
| Nm* | 15 | 15 | 18 | 18 | 18 | 20 | 40 | 70 | 100 | 180 | 250 | 600 | |
| Kv | 22.3 | 47.7 | 83.5 | 150.4 | 255.0 | 435.0 | 672.0 | 947.0 | 1508.0 | 2633.0 | 4261.0 | 5957.0 | |
| Kg | 2.6 | 3.3 | 4.2 | 5.8 | 7.5 | 9.0 | 10.5 | 15.5 | 18.5 | 28.0 | 38.5 | 93.0 | |

*In order to choose the correct actuator, we recommend multiplying the Nm figure by a safety factor of 1.5

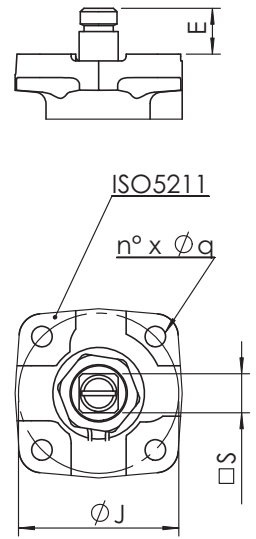
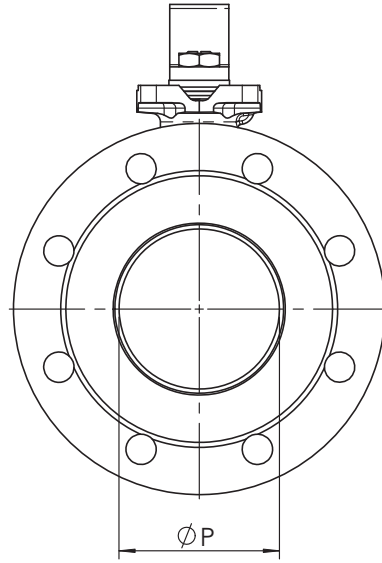
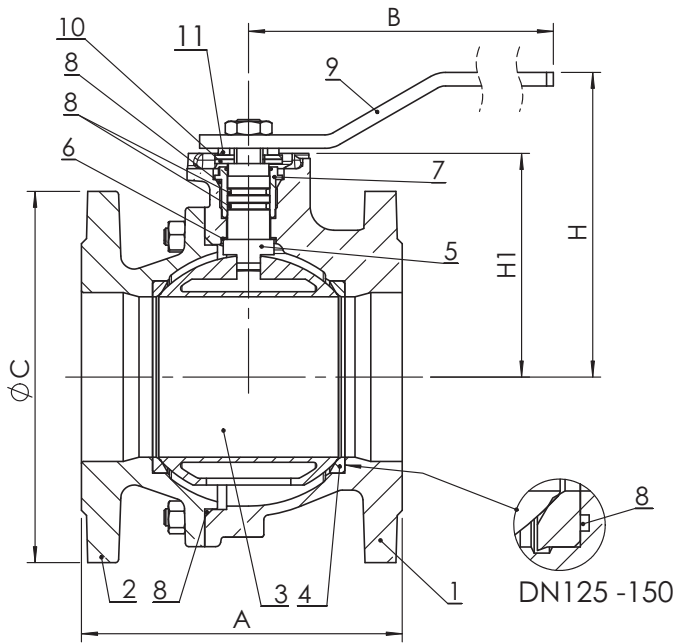


Dimensional drawing on next page

Ductile Iron Ball Valve - Flanged PN16 - Direct Mount

LV 5556

1/2" to 6" Dimensional Drawing



8" Dimensional Drawing

