

Cast Iron Globe Valve - Bellow Seal Type

Pressure/Temperature Rating

Pressure	PN16 Rated
Temperature	-10°C to 300°C

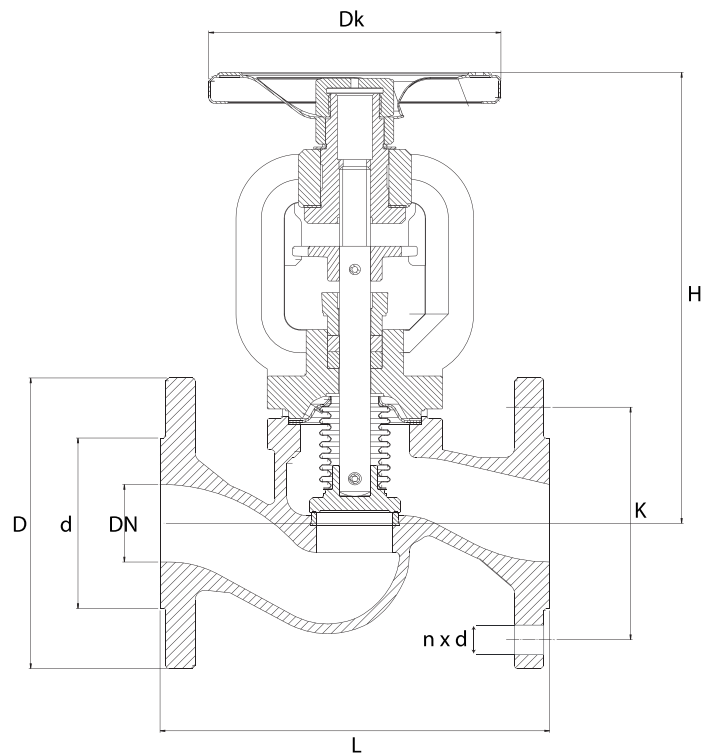
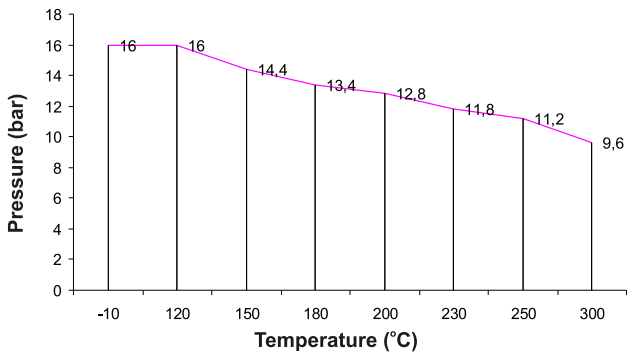
Material List

Body	EN-GJL-250
Seat Ring	X12Cr13
Bonnet	EN-GJS-400-18-LT
Stem	X20Cr13
Handwheel	Steel
Gland	11SMnPb30
Disc	X20Cr13
Bellow	X6CrNiMoTi-17-12-2
Sleeve	11SMnPb30
Gland Packing	Graphite
Bonnet Gasket	Graphite + CrNiSt
Hexagon Bonnet	8.8

Flanged PN16, Cast Iron Body & Bonnet, Stainless Steel Disc, Stem & Seat, Graphite Packing



Pressure/Temperature in accordance with EN 1092-2: 1997



Specifications

DN	D	d	K	n x d	Dk	h	L	H	Kg	Kv
15	95	46	65	4 x 14	125	5	130	178	3.2	5.9
20	105	56	75	4 x 14	125	5	150	178	3.9	7.4
25	115	65	85	4 x 14	125	7	160	193	4.6	9.4
32	140	76	100	4 x 19	125	8	180	201	6.5	18.0
40	150	84	110	4 x 19	150	10	200	224	9.0	30.0
50	165	99	125	4 x 19	150	13	230	228	11.0	41.0
65	185	118	145	4 x 19	175	17	290	270	15.8	70.0
80	200	132	160	8 x 19	200	20	310	295	20.5	115.0
100	220	156	180	8 x 19	250	25	350	325	35.0	181.0
125	250	184	210	8 x 19	300	32	400	380	49.0	225.0
150	285	211	240	8 x 23	400	38	480	427	76.0	364.0
200	340	266	295	12 x 23	500	50	600	569	130.5	725.0