

Cast Iron Globe Valve - SDNR

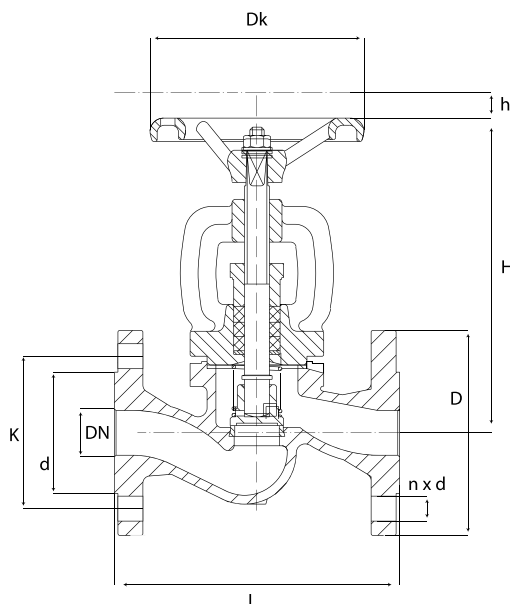
Flanged PN16, Cast Iron Body & Bonnet, Stainless Steel Disc, Stem & Seat, Graphite Packing

Pressure/Temperature Rating

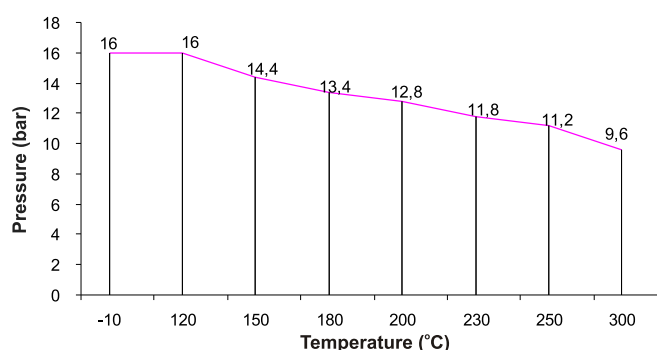
| | |
|-------------|----------------|
| Pressure | PN16 Rated |
| Temperature | -10°C to 300°C |

Material List

| | |
|---------------|--------------------------------|
| Body | EN-GJL-250 |
| Seat Ring | X12Cr13 |
| Bonnet | EN-GJL-250 |
| Disc | X20Cr13 |
| Stem | X20Cr13 |
| Handwheel | EN-GJS-500-7 |
| Gland Packing | Graphite |
| Hexagon Bolt | 8.8 |
| Gasket | Graphite + NiCr |
| Gland | EN-GJL-250 |
| T Bolt | 5.8 + Zinc Galvanized |
| Nut | 8 + Zinc Galvanized |
| Spring | X17CrNi16 |
| Washer | Carbon Steel + Zinc Galvanized |
| Nut | 8 + Zinc Galvanized |



Pressure/Temperature in accordance with EN 1092-2: 1997



Specifications

| DN | D | d | K | n x d | Dk | h | L | H | Kg | Kv |
|-----|-----|-----|-----|---------|-----|-----|-----|-----|-------|-------|
| 15 | 95 | 46 | 65 | 4 x 14 | 100 | 5 | 130 | 167 | 3.3 | 5.9 |
| 20 | 105 | 56 | 75 | 4 x 14 | 100 | 5.5 | 150 | 167 | 3.9 | 7.4 |
| 25 | 115 | 65 | 85 | 4 x 14 | 120 | 7 | 160 | 175 | 5.0 | 13.0 |
| 32 | 140 | 76 | 100 | 4 x 19 | 120 | 14 | 180 | 186 | 6.6 | 18.0 |
| 40 | 150 | 84 | 110 | 4 x 19 | 160 | 20 | 200 | 235 | 8.4 | 30.0 |
| 50 | 165 | 99 | 125 | 4 x 19 | 160 | 25 | 230 | 248 | 12.0 | 41.0 |
| 65 | 185 | 118 | 145 | 4 x 19 | 180 | 35 | 290 | 260 | 17.3 | 79.0 |
| 80 | 200 | 132 | 160 | 8 x 19 | 200 | 41 | 310 | 291 | 22.7 | 115.0 |
| 100 | 220 | 156 | 180 | 8 x 19 | 250 | 31 | 350 | 338 | 35.8 | 181.0 |
| 125 | 250 | 184 | 210 | 8 x 19 | 250 | 48 | 400 | 384 | 52.8 | 225.0 |
| 150 | 285 | 211 | 240 | 8 x 23 | 320 | 54 | 480 | 429 | 74.2 | 364.0 |
| 200 | 340 | 266 | 295 | 12 x 23 | 360 | 77 | 600 | 529 | 126.0 | 690.0 |

