

Brass Ball Valve - Spring Close Lever

LV 2357

Screwed BSPP, Nickel Plated Body, Full Bore, Spring Close Lever Operated



Pressure / Temperature Specifications

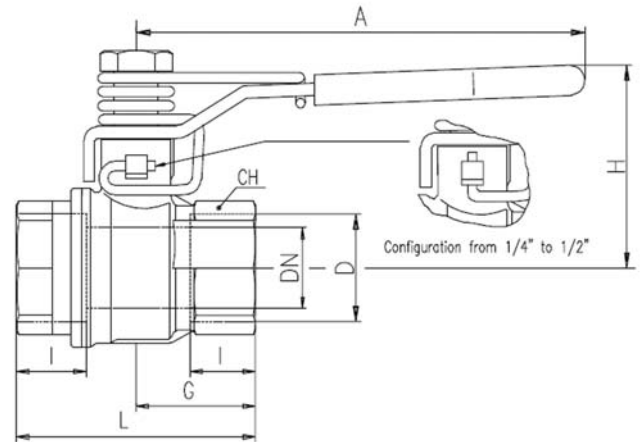
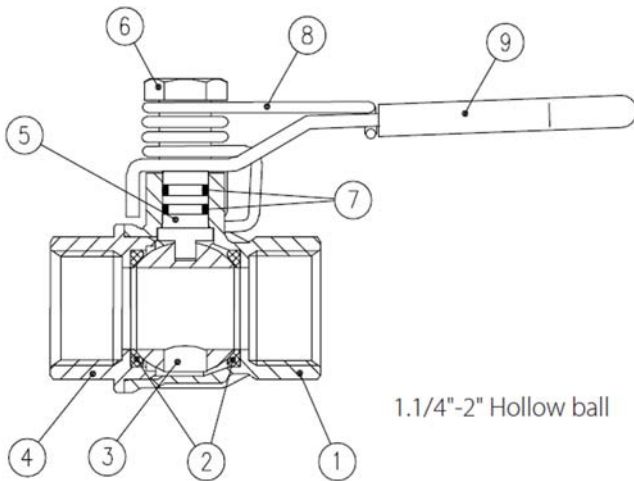
Pressure	PN40
Temperature	-40°C to 170°C

Material Specifications

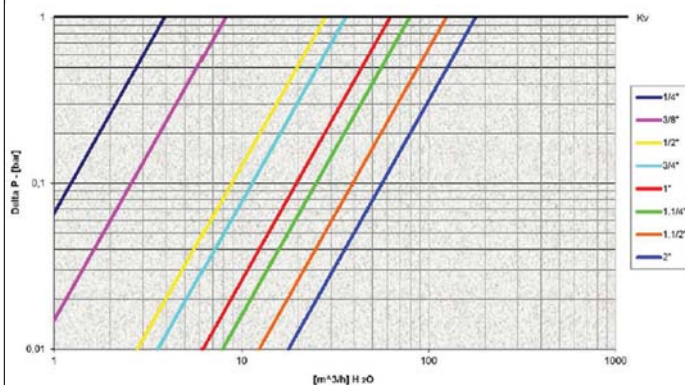
1.	Body	Nickel Plated Brass CW 617 N
2.	Seat	PTFE
3.	Ball	Chrome Plated Brass CW 617 N
4.	Body End	Nickel Plated Brass CW 617 N
5.	Stem	Nickel Plated Brass CW 617 N
6.	Nut	Brass CW 617 N
7.	O-ring	FPM
8.	Spring	AISI 302
9.	Lever	PVC Coated Geomet DD11

Dimensions

D	DN	I	L	G	A	H	CH	Kg
1/2"	15	15.5	59	29.5	100	43	25	0.33
3/4"	20	17	64	32	120	50	31	0.51
1"	25	21	81	40.5	120	54	40	0.85
1 1/4"	32	23	93	46.5	158	73	49	1.25
1 1/2"	40	23	102	51	158	79	54	1.66
2"	50	26.5	121	60.5	158	86	68.5	1.69



Pressure Loss Chart



Pressure / Temperature Chart

