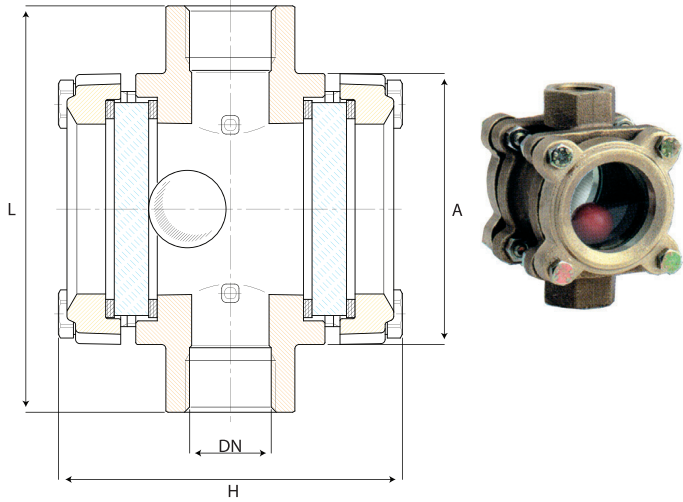


LV 1306

Bronze Flow Indicator / Sight Glass

Screwed BSPP Female, Ball Type,
Rated PN16, Max Temperature 150°C.



Dimensions

DN	A	H	L
½"	64.5	80	94.5
¾"	69	90	100
1"	69	91.5	106.5
1¼"	82	112	126
1½"	82	118	138
2"	102	140	170

Material List

Part	Material
Body	Bronze
Window	Hardened Double Glass
Ball	Moplen