

Stainless Steel Butterfly Wafer Valve - PTFE Liner

LV 9958

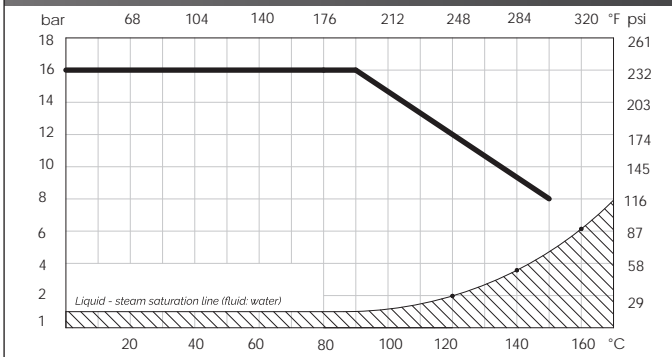
ISO 5211 for Direct Mount, CF8M Stainless Steel Body & Disc, PTFE Liner,
Stainless Steel Lever Operated 2" to 4", 6" & 8" Gearbox Operated.
Complies with 97/23/CE (PED) Directive CE 1115.
To fit PN6, PN10, PN16, ANSI 150, Table D and/or Table E Flanges.



Pressure / Temperature Specifications

Pressure	PN16
Temperature	-10°C to 120°C

Pressure/Temperature Chart



Note: Do not use when temperature and pressure are below the liquid-steam saturation line (hatched area)

Material Specifications

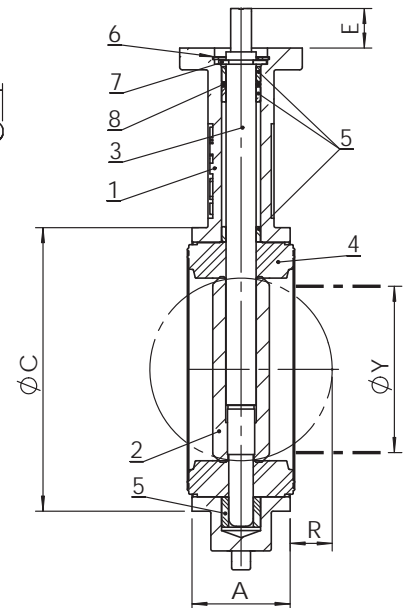
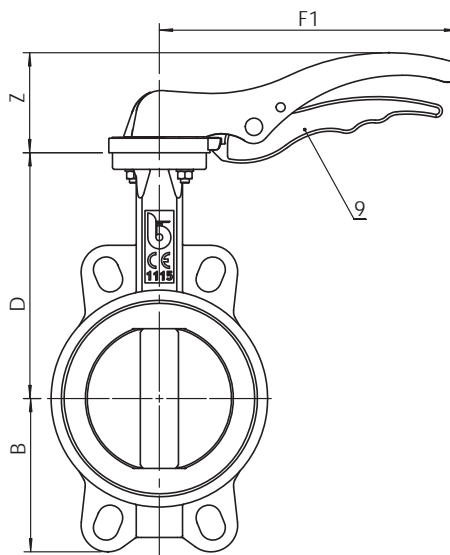
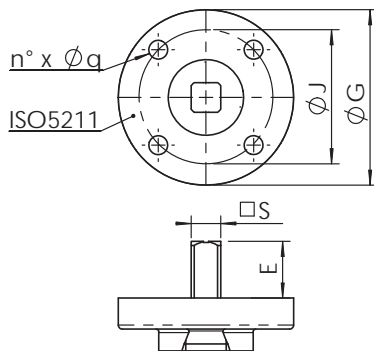
1	Body	CF8M Stainless Steel
2	Disc	CF8M Stainless Steel
3	Stem	AISI 316 Stainless Steel
4	Liner	PTFE
5	Bushing	PTFE
6	Washer	A4 Stainless Steel
7	Circlip	A4 Stainless Steel
8	O-ring	Viton
9	Lever	A4 Stainless Steel
10	Bolts	A4 Stainless Steel

Dimensions

Size	A	ØC	D	B	F1	Z	R	ØY	ISO	G	J	n x q	S	E
2"	43	89	126	62	170	50	5	31	F05	65	50	4 X 7	9	21
2½"	46	102	136	69	170	50	9	45	F05	65	50	4 X 7	9	21
3"	46	118	150	90	206	69	17	65	F05	65	50	4 X 7	11	21
4"	52	150	170	106	206	69	26	90	F05	65	50	4 X 7	11	21
5"	56	174	180	119	285	90	34	110	F07	90	70	4 X 9	14	27
6"	56	205	200	131	-	-	50	146	F07	90	70	4 X 9	14	27
8"	60	260	230	166	-	-	71	194	F10	125	102	4 X 11	17	27

Weights

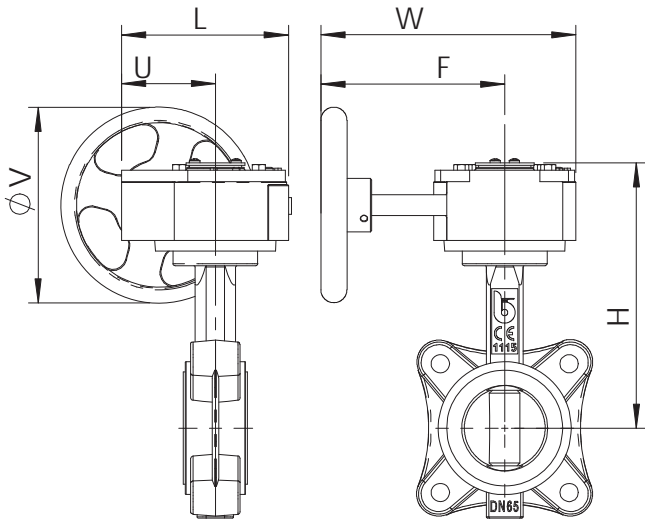
Size	2"	2½"	3"	4"	5"	6"	8"
Kg	2.1	2.4	3.1	4.1	6.1	-	-



Please see following pages for further dimensional information for gearbox option and flow rates / headloss information

Stainless Steel Butterfly Wafer Valve - PTFE Liner

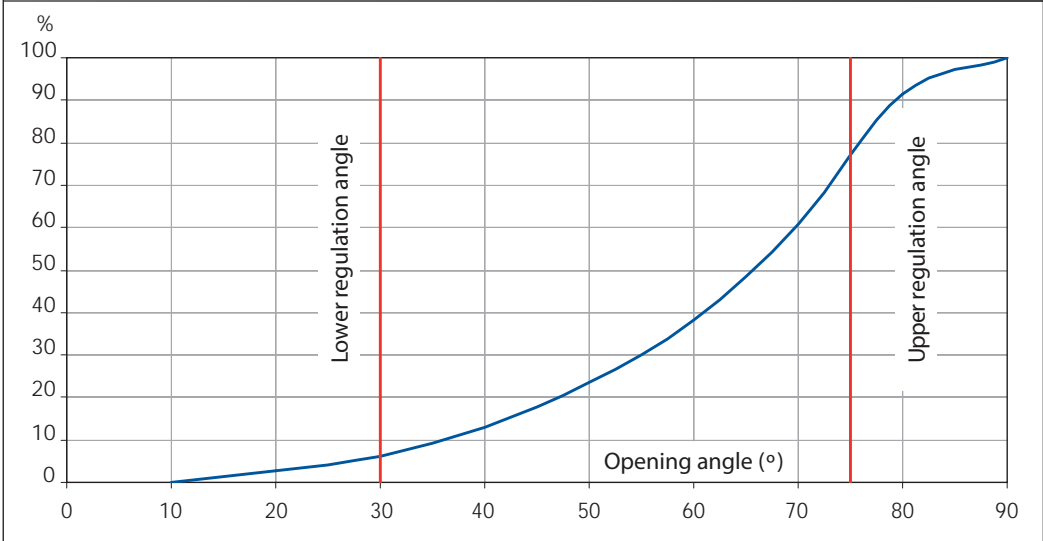
LV 9958



Dimensions							
Size	L	U	H	W	G	V	Kg
2"	130	77	188	225	170	150	6.1
2½"	130	77	198	225	170	150	6.4
3"	130	77	212	225	170	150	7.0
4"	130	77	232	225	170	150	8.1
5"	130	77	242	225	170	150	9.6
6"	130	77	262	225	170	150	11.1
8"	180	104	308	338	260	300	22.3

Torque							
Size	2"	2½"	3"	4"	5"	6"	8"
Nm	13.0	21.0	28.0	44.0	68.0	99.0	162.0

Flow Rate Chart



KV Rates

Opening (°) >	10	20	30	40	50	60	70	80	90
2"	0.05	2.6	6	13	23	38	60	91	99
2½"	0.09	3.8	14	33	53	75	98	108	108
3"	0.17	7.8	16	34	60	100	158	237	261
4"	0.26	15	31	67	120	199	314	471	518
5"	0.43	25	53	115	205	339	535	803	883
6"	0.69	39	82	177	316	522	827	1,241	1,364
8"	2.6	52	142	250	450	713	1,122	1,723	2,716

Please see following page for headloss chart

Stainless Steel Butterfly Wafer Valve - PTFE Liner

LV 9958

Flow Rate Chart

