

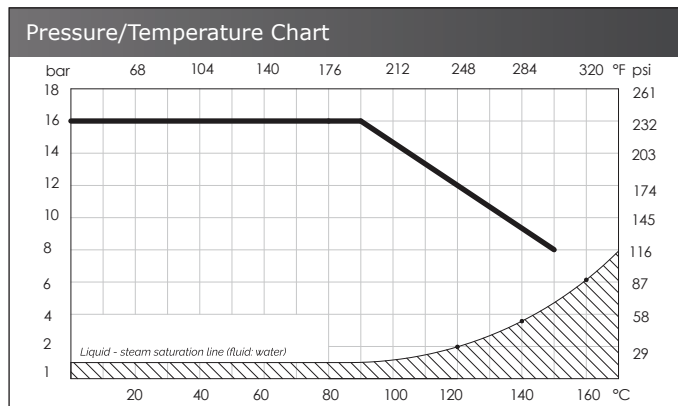
Multi-flange Wafer Pattern Butterfly Valve - NBR Liner

LV 9925

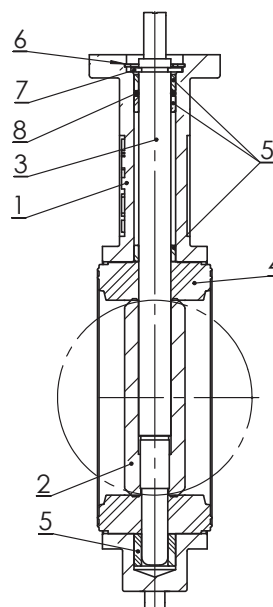
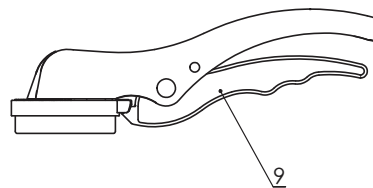
ISO 5211 for Direct Mount, Epoxy Coated Ductile Iron Body, Aluminium Bronze Disc, NBR Liner, Locking Lever Operation 1½" to 10", Gearbox Operation 12" to 24", Complies with 97/23/CE (PED) Directive CE 1115



Pressure / Temperature Specifications		
Pressure	PN16 1½" to 16"	PN10 18" to 24"
Temperature	-10°C to 80°C	



Note: Do not use when temperature and pressure are below the liquid-steam saturation line (hatched area)



Material Specifications		
1	Body	EN GJS 400-15 Ductile Iron
2	Disc	Aluminium Bronze
3	Stem 1½" to 16"	AISI 420 Stainless Steel
3	Stem 18" to 24"	AISI 416 Stainless Steel
4	Liner	NBR
5	Bushing	PTFE
6	Washer	Galvanized Carbon Steel
7	Circlip	Steel
8	O-ring	Viton
9	Lever 1½" to 6"	Aluminium
9	Lever 8" to 10"	EN GJS 400-15 Ductile Iron
10	Bolts	Galvanized Carbon Steel

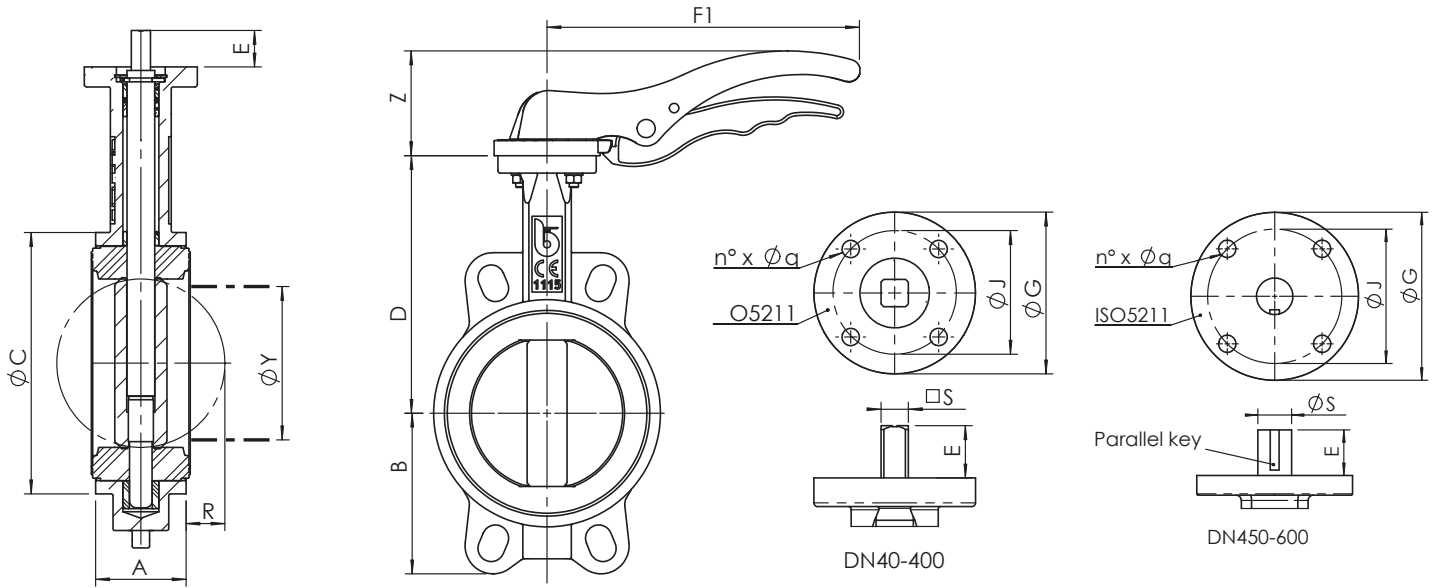
Operating Torque (Nm)										
DP (Bar)	3	6	10	16	DP (Bar)	3	6	10	16	
1½"	7.8	8.4	8.8	9.2	12"	290.0	316.0	342.0	367.0	
2"	11.3	12.0	13.0	13.0	14"	298.0	347.0	396.0	550.0	
2½"	17.0	18.0	20.0	21.0	16"	481.0	551.0	622.0	850.0	
3"	23.0	25.0	26.0	28.0	18"	930.0	980.0	1312.0	1543.0	
4"	33.0	36.0	40.0	44.0	20"	1250.0	1350.0	1848.0	2112.0	
5"	48.0	54.0	61.0	68.0	24"	2270.0	2500.0	3005.0	3535.0	
6"	68.0	78.0	88.0	99.0						
8"	120.0	134.0	148.0	162.0						
10"	189.0	212.0	234.0	257.0						

Weights									
Size	1½"	2"	2½"	3"	4"	5"	6"	8"	10"
Kg	1.8	2.1	2.4	3.2	4.3	6.3	7.8	15.0	23.5
Size	12"	14"	16"	18"	20"	24"			
Kg	42.0	43.0	60.0	107.7	155.8	231.1			

Continues on next page

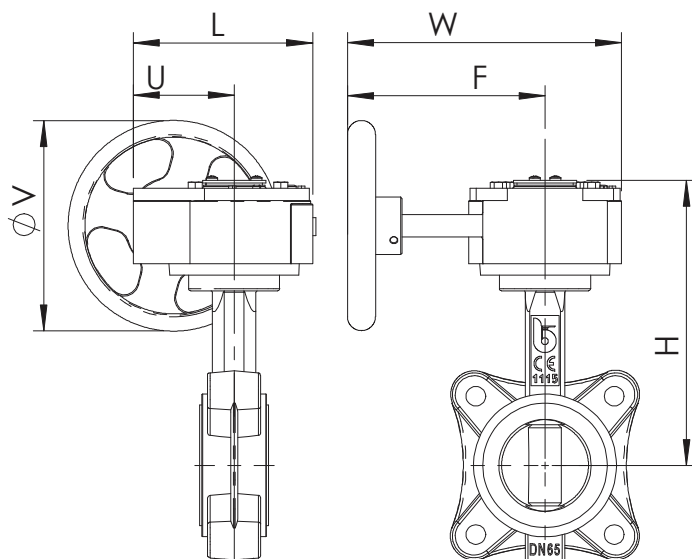
Multi-flange Wafer Pattern Butterfly Valve - NBR Liner

LV 9925



Dimensions

Size	A	ØC	D	B	F1	Z	R	ØY	ISO	G	J	n x q	S	E
1½"	33	82	116	63	170	50	5	27	F05	65	50	4 X 7	9	21
2"	43	89	126	62	170	50	5	31	F05	65	50	4 X 7	9	21
2½"	46	102	136	69	170	50	9	45	F05	65	50	4 X 7	9	21
3"	46	118	150	90	206	69	17	65	F05	65	50	4 X 7	11	21
4"	52	150	170	106	206	69	26	90	F05	65	50	4 X 7	11	21
5"	56	174	180	119	285	90	34	110	F07	90	70	4 X 9	14	27
6"	56	205	200	131	285	90	50	146	F07	90	70	4 X 9	14	27
8"	60	260	230	166	400	72	71	194	F10	125	102	4 X 11	17	27
10"	68	318	266	202	530	72	91	241	F12	150	125	4 X 13	27	27
12"	78	376	292	235	-	-	112	291	F12	150	125	4 X 13	27	27
14"	78	406	335	257	-	-	128	324	F12	150	125	4 X 13	27	27
16"	102	471	360	292	-	-	144	379	F12	150	125	4 X 13	27	27
18"	114	539	422	318	-	-	163	428	F14	175	140	4 X 18	38	51.2
20"	127	594	480	355	-	-	182	475	F14	175	140	4 X 18	41.15	64.2
24"	154	695	562	444	-	-	219	573	F16	210	165	4 X 22	50.65	70.2



Dimensions

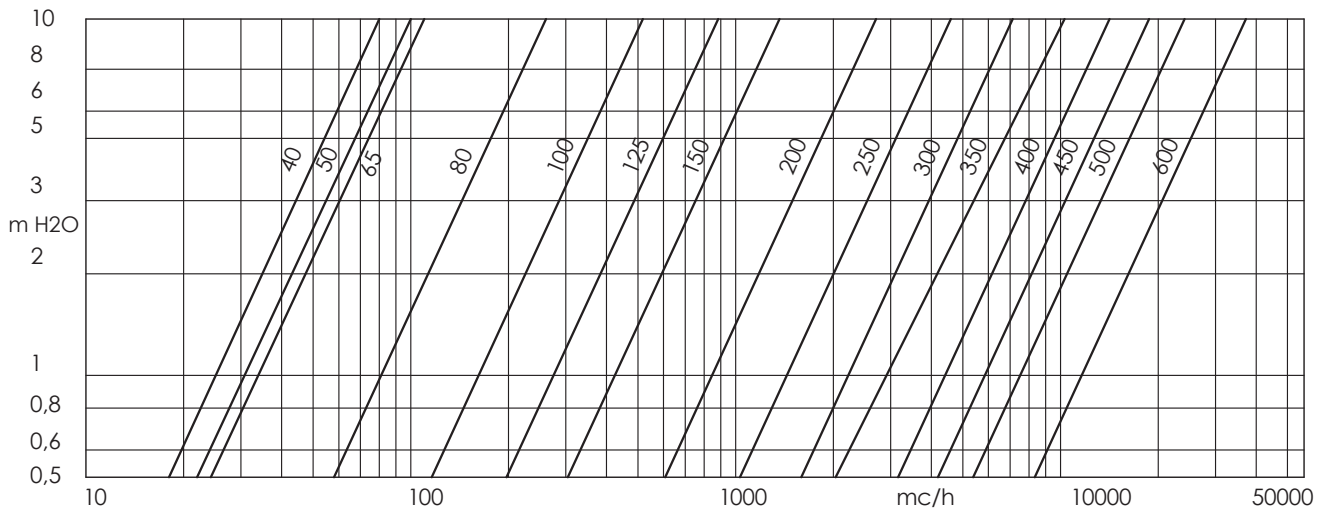
Size	L	U	H	W	F	V
12"	205	124	372	345	260	300
14"	205	124	415	345	260	300
16"	278	118	457	291	167	380
18"	278	118	519	291	167	380
20"	277	107	607	379	207	285
24"	323	131	693	428	256	385

Continues on next page

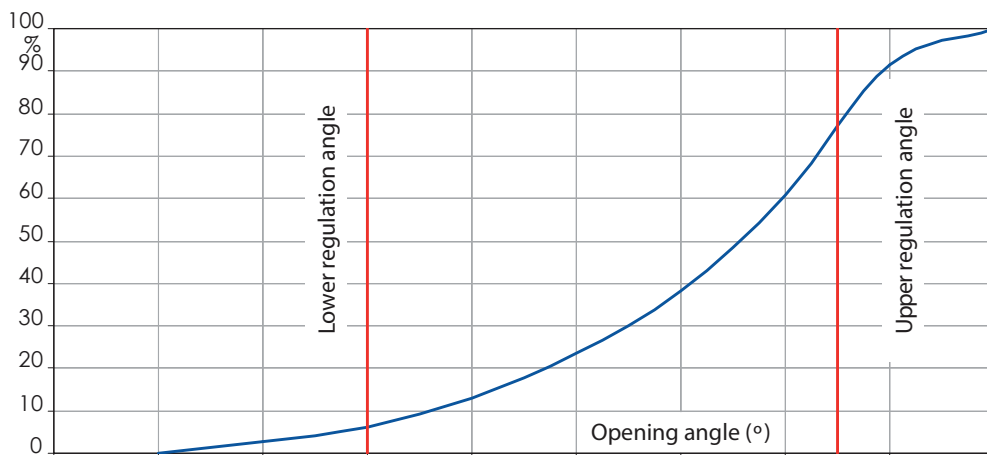
Multi-flange Wafer Pattern Butterfly Valve - NBR Liner

LV 9925

Headloss Chart



Flow Rate Chart



KV Rates

Opening (°)>	10	20	30	40	50	60	70	80	90
1½"	0.04	2.1	4.8	10	19	30	48	73	79
2"	0.05	2.6	6	13	23	38	60	91	99
2½"	0.09	3.8	14	33	53	75	98	108	108
3"	0.17	7.8	16	34	60	100	158	237	261
4"	0.26	15	31	67	120	199	314	471	518
5"	0.43	25	53	115	205	339	535	803	883
6"	0.69	39	82	177	316	522	827	1,241	1,364
8"	2.6	52	142	250	450	713	1,122	1,723	2,716
10"	2.6	130	276	599	1,068	1,768	2,798	4,196	4,611
12"	3.5	202	427	926	1,650	2,730	4,322	6,483	7,124
14"	5.2	292	617	1,376	2,384	3,945	6,243	9,364	10,291
16"	6.9	401	849	1,839	3,279	5,425	8,585	12,878	14,152
18"	9.5	531	1,124	2,437	4,342	7,185	11,371	17,057	18,743
16"	12	683	1,445	3,133	5,609	9,238	14,620	21,930	24,099
18"	19	1,055	2,234	4,840	8,626	14,272	22,587	33,882	37,232