

Ball Check Valve – Standard Ball

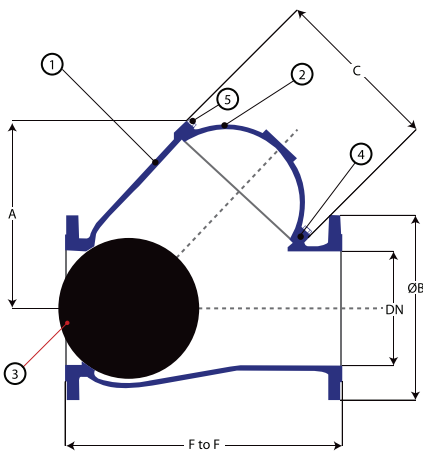
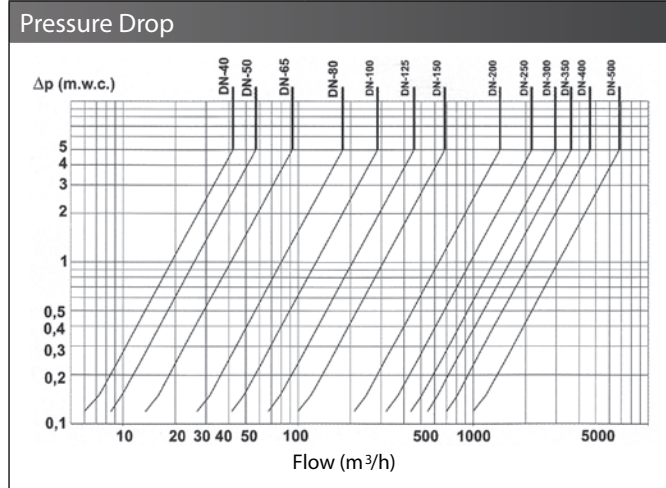
Ball Check Valve, Ductile Iron Body & Bonnet, NBR Seat, NBR Coated Aluminium Ball upto 6", NBR Coated Cast Iron Ball 8" to 20".

PN10/16 Flanges upto 8"
 PN10 Flanges 10" to 20"



Pressure/Temperature Ratings	
Pressure	PN10 Rated
Temperature	-10°C to 70°C

Material List		
Body	1½" to 8"	GG-25 (EN-GJL-250)
	10" to 20"	GGG-40 (EN-GJS-400-15)
Bonnet	1½" to 8"	GG-25 (EN-GJL-250)
	10" to 20"	GGG-40 (EN-GJS-400-15)
Ball	1½" to 8"	NBR Coated Aluminium
	10" to 20"	NBR Coated Ductile Iron
Bonnet Gasket		Elastomer/NBR
Bolting		Stainless Steel



Size	Dimensions						Cracking Pressure (mm.w.c)	
	A	ØB	C	F to F	Kv	Kg	↑	→
1½"	90	150	120	180	60	8.2	16.0	0.00
2"	115	165	140	200	81	9.4	21.0	0.00
2½"	135	185	155	240	130	12.5	22.3	0.00
3"	160	200	185	260	255	15.0	67.0	0.00
4"	190	226	220	300	400	20.0	87.1	0.00
5"	222	253	255	350	645	30.0	92.9	0.00
6"	268	285	290	400	970	38.0	122.9	0.00
8"	335	342	370	500	2000	70	146.6	0.00
10"	420	403	380	600	3050	125.0	118.4	0.00
12"	495	445	445	700	4150	180.0	155.0	0.00
14"	580	505	520	800	5100	290.0	168.5	0.00
16"	730	565	712	900	6600	420.0	186.2	0.00
20"	900	670	772	1100	9700	580.0	49.4	0.00