

High Performance Butterfly Valve



LV 9562

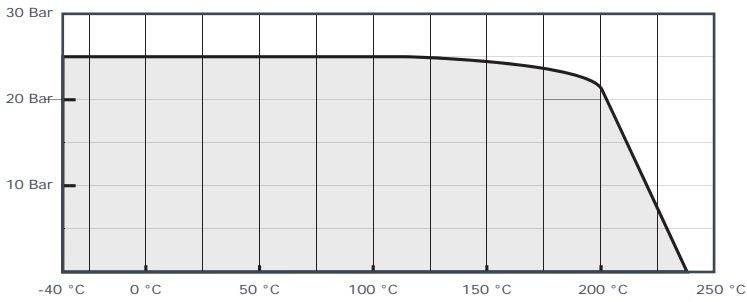
Wafer to suit **PN10/16/25 & ANSI 150** Flanges, Double Offset, Stainless Steel Body, Disc & Shaft, Firesafe Seat (Primary Seat RPTFE, Secondary Seat Inconel 625,) Lever Operated 2" to 5", Gearbox Operated 6" to 12", Firesafe to API 607 6th Edition



Pressure / Temperature Specifications

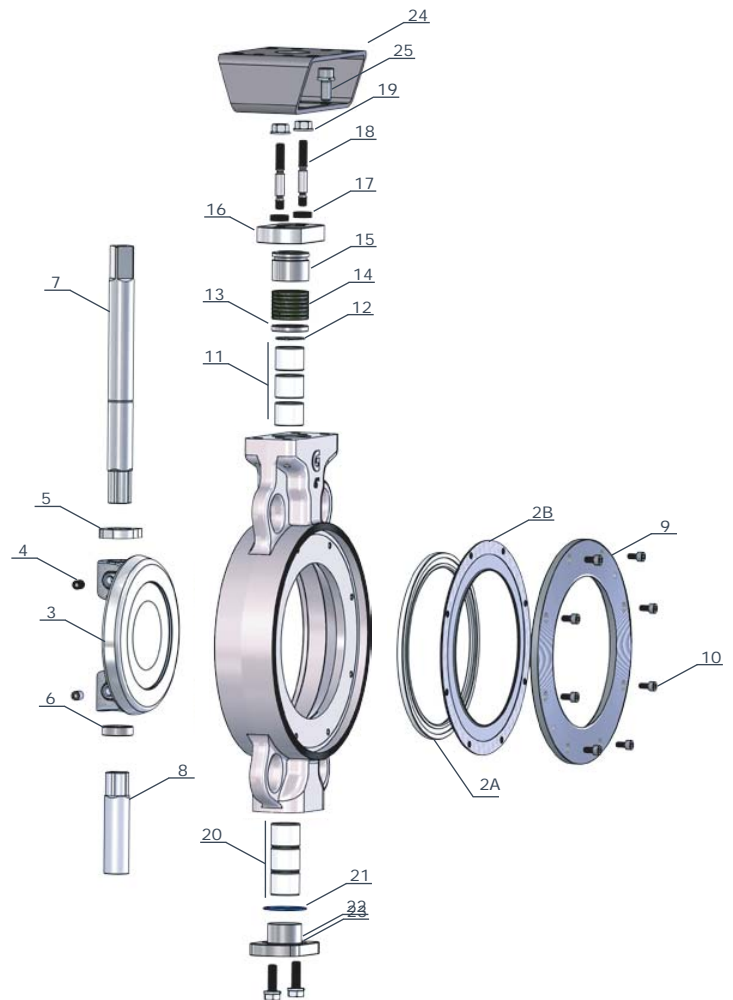
Pressure	PN25
Temperature	-60°C to 230°C

Pressure/Temperature Chart



Material Specifications

1	Body	CF8M Stainless Steel
2a	Soft Seat	RPTFE
2b	Metal Seat	Inconel 625 & Graphite
3	Disc	CF8M Stainless Steel
4	Locking Pins	316 Stainless Steel
5	Upper Spacer	316 Stainless Steel
6	Lower Spacer	316 Stainless Steel
7	Upper Shaft	A564 Gr630 Steel
8	Lower Shaft	A564 Gr630 Steel
9	Seat Retaining Flange	316 Stainless Steel
10	Screw	316 Stainless Steel
11	Upper Bush	Stainless Steel & PTFE
12	Retaining Ring	316 Stainless Steel
13	Thrust Block	316 Stainless Steel
14	Shaft Packing	Graphite
15	Gland	316 Stainless Steel
16	Gland Flange	316 Stainless Steel
17	Spring Set	Stainless Steel
18	Rods	316 Stainless Steel
19	Nut	316 Stainless Steel
20	Lower Bush	Stainless Steel & PTFE
21	Packing	Graphite
22	Lower Plug	316 Stainless Steel
23	Screw	316 Stainless Steel
24	Upper Flange	Epoxy Coated Steel
25	Screw	316 Stainless Steel
	Lever (2" to 5")	Aluminium
	Gearbox (6" to 12")	GG25 Cast Iron



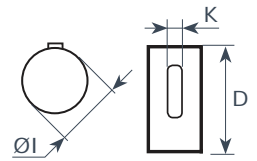
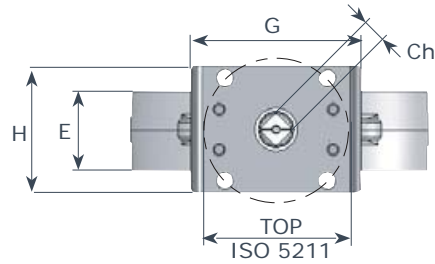
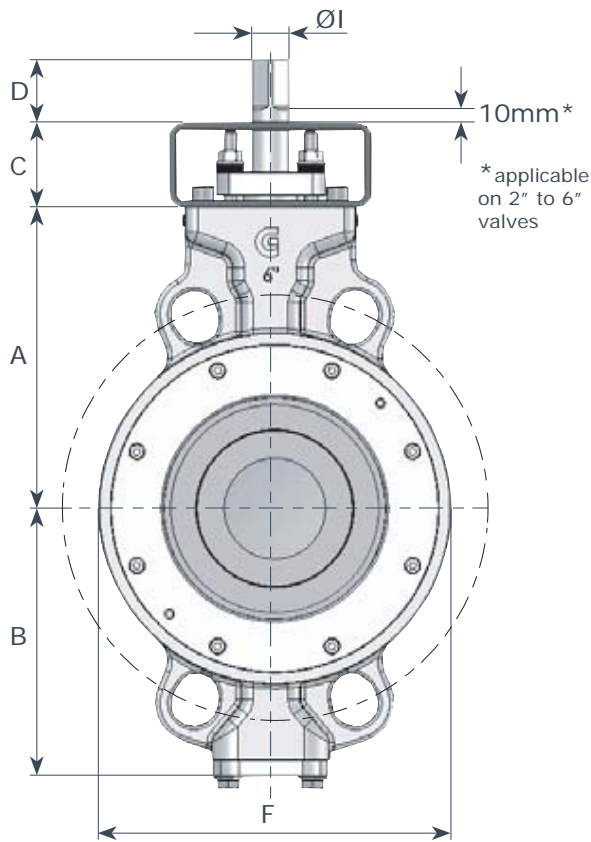
Weights

Size	2"	2½"	3"	4"	5"	6"	8"	10"	12"
Kg	4.1	4.6	5.4	8.7	11.1	17.0	25.5	43.5	58.5

Continues on next page

High Performance Butterfly Valve

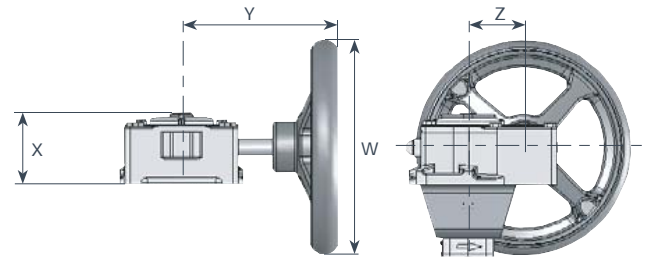
LV 9562



Shaft Design for 8" to 12" Valves



Lever Operation for 2" to 5" Valves



Gearbox Operation for 6" to 12" Valves

Dimensions									
	2"	2½"	3"	4"	5"	6"	8"	10"	12"
A	117	120	129	160	170	179	218	257	300
B	81	93	101	128	159	168	207	232	270
C	50	50	50	50	50	50	60	80	80
D	34	34	34	34	38	38	40	60	60
E	43	46	46	52	56	56	61	69	78
F	95	105	127	150	174	210	270	325	378
G	100	100	100	100	120	120	120	160	160
H	70	70	70	70	90	90	90	130	130
ØI	14	14	14	18	22	22	25	30	35
Ch	11	11	11	14	17	17	-	-	-
K	-	-	-	-	-	-	8	10	10
Top	F07	F07	F07	F07	F10	F10	F10	F12	F12
V	93	93	93	93	125	-	-	-	-
W	220	220	220	275	340	Ø200	Ø200	Ø300	Ø300
X	67	67	67	67	76	63	63	88	88
Y	-	-	-	-	-	217	217	292	292
Z	-	-	-	-	-	52	52	71	71

Torque Figures (Nm)									
Size	2"	2½"	3"	4"	5"	6"	8"	10"	12"
10 Bar	24.0	34.0	38.0	45.0	85.0	130.0	180.0	330.0	580.0
16 Bar	30.0	38.0	45.0	56.0	90.0	145.0	240.0	450.0	640.0
20 Bar	40.0	48.0	54.0	62.0	105.0	170.0	270.0	520.0	740.0
25 Bar	47.0	60.0	68.0	81.0	120.0	210.0	390.0	580.0	850.0