

High Performance Butterfly Valve

LV 9503

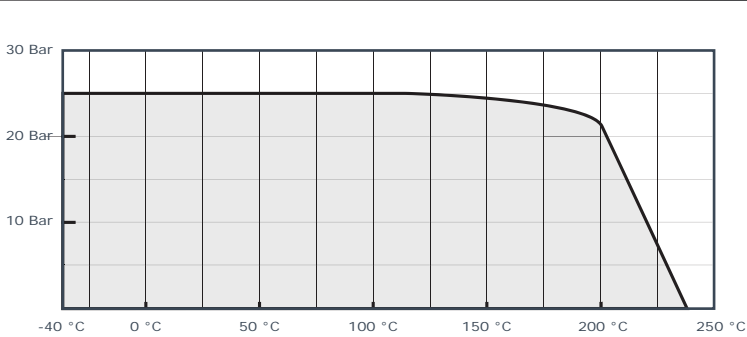
Lugged PN16/25 2" to 3", PN16 4" to 12", Double Offset, Stainless Steel Body, Disc & Shaft, RPTFE Seat, Lever Operated 2" to 5", Gearbox Operated 6" to 12"



Pressure / Temperature Specifications

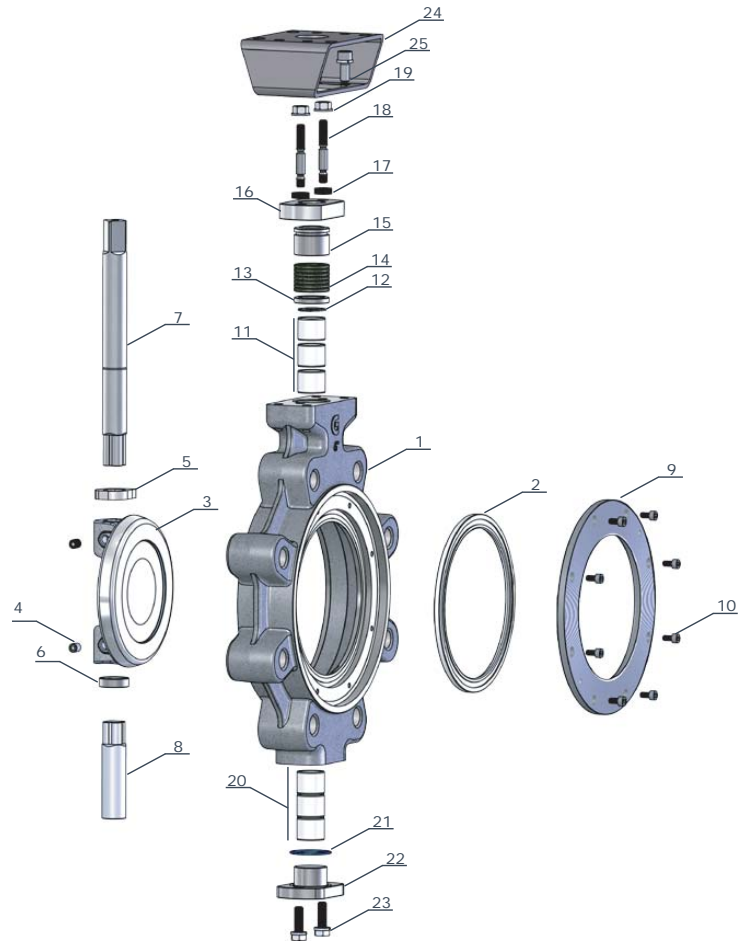
| | |
|-------------|----------------|
| Pressure | PN25 |
| Temperature | -60°C to 230°C |

Pressure/Temperature Chart



Material Specifications

| | | |
|----|-----------------------|------------------------|
| 1 | Body | CF8M Stainless Steel |
| 2 | Seat | RPTFE |
| 3 | Disc | CF8M Stainless Steel |
| 4 | Locking Pins | 316 Stainless Steel |
| 5 | Upper Spacer | 316 Stainless Steel |
| 6 | Lower Spacer | 316 Stainless Steel |
| 7 | Upper Shaft | A564 Gr630 Steel |
| 8 | Lower Shaft | A564 Gr630 Steel |
| 9 | Seat Retaining Flange | 316 Stainless Steel |
| 10 | Screw | 316 Stainless Steel |
| 11 | Upper Bush | Stainless Steel & PTFE |
| 12 | Retaining Ring | 316 Stainless Steel |
| 13 | Thrust Block | 316 Stainless Steel |
| 14 | Shaft Packing | Graphite |
| 15 | Gland | 316 Stainless Steel |
| 16 | Gland Flange | 316 Stainless Steel |
| 17 | Spring Set | Stainless Steel |
| 18 | Rods | 316 Stainless Steel |
| 19 | Nut | 316 Stainless Steel |
| 20 | Lower Bush | Stainless Steel & PTFE |
| 21 | O-ring | PTFE |
| 22 | Lower Plug | 316 Stainless Steel |
| 23 | Screw | 316 Stainless Steel |
| 24 | Upper Flange | Epoxy Coated Steel |
| 25 | Screw | 316 Stainless Steel |
| | Lever (2" to 5") | Aluminium |
| | Gearbox (6" to 12") | GG25 Cast Iron |



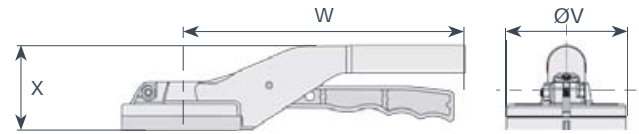
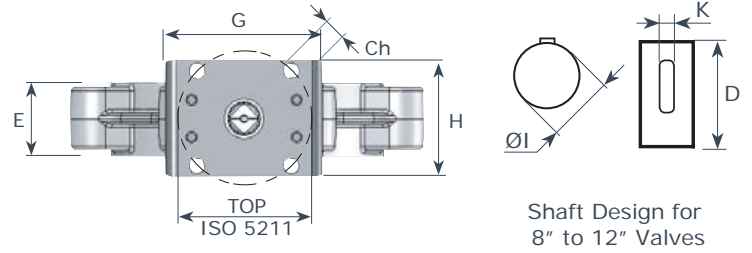
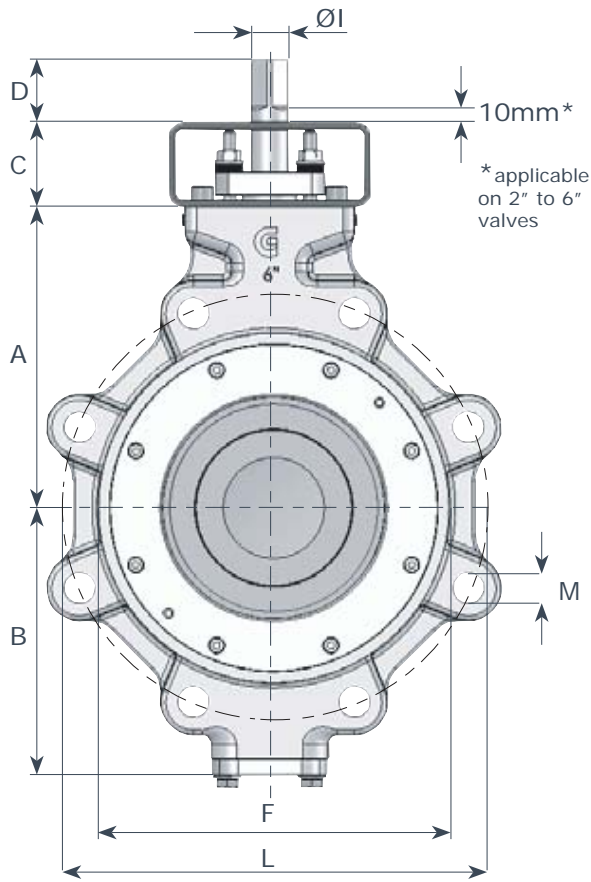
Weights

| Size | 2" | 2½" | 3" | 4" | 5" | 6" | 8" | 10" | 12" |
|------|-----|-----|-----|------|------|------|------|------|------|
| Kg | 6.3 | 7.6 | 8.2 | 10.4 | 15.8 | 21.1 | 46.1 | 54.5 | 70.5 |

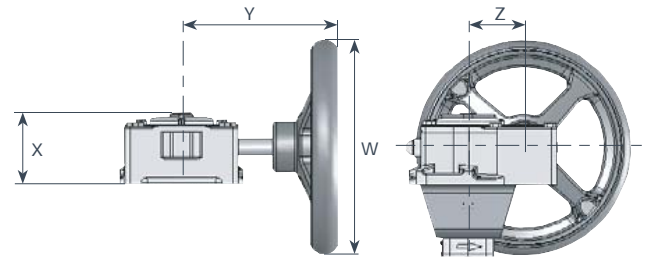
Continues on next page

High Performance Butterfly Valve

LV 9503



Lever Operation for 2" to 5" Valves



Gearbox Operation for 6" to 12" Valves

Dimensions

| | 2" | 2½" | 3" | 4" | 5" | 6" | 8" | 10" | 12" |
|-----|------|------|------|------|------|------|-------|-------|-------|
| A | 117 | 120 | 129 | 160 | 170 | 179 | 218 | 257 | 300 |
| B | 81 | 93 | 101 | 128 | 159 | 168 | 207 | 232 | 270 |
| C | 50 | 50 | 50 | 50 | 50 | 50 | 60 | 80 | 80 |
| D | 34 | 34 | 34 | 34 | 38 | 38 | 40 | 60 | 60 |
| E | 43 | 46 | 46 | 52 | 56 | 56 | 61 | 69 | 78 |
| F | 95 | 105 | 127 | 150 | 174 | 210 | 270 | 325 | 378 |
| G | 100 | 100 | 100 | 100 | 120 | 120 | 120 | 160 | 160 |
| H | 70 | 70 | 70 | 70 | 90 | 90 | 90 | 130 | 130 |
| ØI | 14 | 14 | 14 | 18 | 22 | 22 | 25 | 30 | 35 |
| Ch | 11 | 11 | 11 | 14 | 17 | 17 | - | - | - |
| K | - | - | - | - | - | - | 8 | 10 | 10 |
| L | 125 | 145 | 160 | 190 | 220 | 250 | 310 | 370 | 430 |
| M | 4x16 | 8x16 | 8x16 | 8x20 | 8x24 | 8x24 | 12x24 | 12x27 | 16x27 |
| Top | F07 | F07 | F07 | F07 | F10 | F10 | F10 | F12 | F12 |
| V | 93 | 93 | 93 | 93 | 125 | - | - | - | - |
| W | 220 | 220 | 220 | 275 | 340 | Ø200 | Ø200 | Ø300 | Ø300 |
| X | 67 | 67 | 67 | 67 | 76 | 63 | 63 | 88 | 88 |
| Y | - | - | - | - | - | 217 | 217 | 292 | 292 |
| Z | - | - | - | - | - | 52 | 52 | 71 | 71 |

Torque Figures (Nm)

| Size | 2" | 2½" | 3" | 4" | 5" | 6" | 8" | 10" | 12" |
|--------|------|------|------|------|-------|-------|-------|-------|-------|
| 10 Bar | 24.0 | 34.0 | 38.0 | 45.0 | 85.0 | 130.0 | 180.0 | 330.0 | 580.0 |
| 16 Bar | 30.0 | 38.0 | 45.0 | 56.0 | 90.0 | 145.0 | 240.0 | 450.0 | 640.0 |
| 20 Bar | 40.0 | 48.0 | 54.0 | 62.0 | 105.0 | 170.0 | 270.0 | 520.0 | 740.0 |
| 25 Bar | 47.0 | 60.0 | 68.0 | 81.0 | 120.0 | 210.0 | 390.0 | 580.0 | 850.0 |