

Carbon Ball Valve - Flanged PN16 - ISO Top

LV 8635

ISO 5211 for Direct Mount, Flanged **PN16 RF**, 2 Piece WCB Carbon Steel Body, Full Bore, CF8 Stainless Steel Ball, 304 Stainless Steel Stem, **TFM 1600** Seats, Graphite Packing, Firesafe to **API 607 & TA-LUFT Approved**

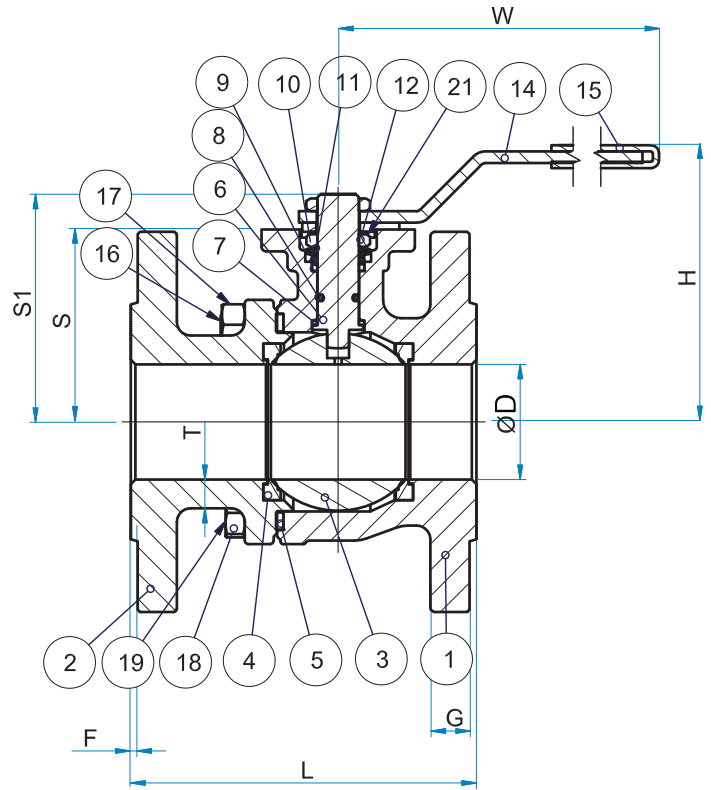


Pressure / Temperature Specifications

Pressure	PN40 ½" to 2"	PN16 2½" to 6"
Temperature	-10°C to 180°C	

Material Specifications

1	Body	WCB Carbon Steel
2	Cap	WCB Carbon Steel
3	Ball	CF8 Stainless Steel
4	Seat	TFM1600
5	Joint Gasket	Graphite
6	Stem	AISI 316 Stainless Steel
7	Thrust Washer	PTFE
8	O-ring	Viton
9	Stem Packing	Graphite
10	Stem Ring	AISI 304 Stainless Steel
11	Belleville Washer	AISI 304 Stainless Steel
12	Stem Nut	AISI 304 Stainless Steel
13	Stopper	AISI 304 Stainless Steel
14	Handle	AISI 430 Stainless Steel
15	Handle Cover	Plastic
16	Nut	AISI 304 Stainless Steel
17	Stud Bolt	AISI 304 Stainless Steel
18	Nut	AISI 304 Stainless Steel
19	Stud Bolt	AISI 304 Stainless Steel
20	Stopper Pin	AISI 304 Stainless Steel
21	Lock Washer	AISI 304 Stainless Steel



Valve Dimensions

Size	D	F	G	L	W	H	S	S1	T	Kg
½"	15	2	14	115	110	89	46.5	56	3.1	2.2
¾"	20	2	16	120	110	94	51.5	61	5	3.0
1"	25	2	16	125	136	95	57.5	67	6	3.8
1¼"	32	2	16	127	175	105.7	71.5	87	6	5.7
1½"	40	3	16	140	203	110.7	76.5	92	6	6.9
2"	50	3	17	150	203	117.7	83.5	99	6.5	9.4
2½"	65	3	15	170	277.5	155.5	118.5	137	6.5	14.6
3"	80	3	17	180	277.5	166.5	129.5	148	7	19.0
4"	100	3	17	190	377.5	182	145	163.5	7	26.6
5"	125	3	22	325	415	215	158	205	6.8	26.6
6"	150	3	22	350	415	215	175	222	7.1	60.6

Torque Figures (Nm)

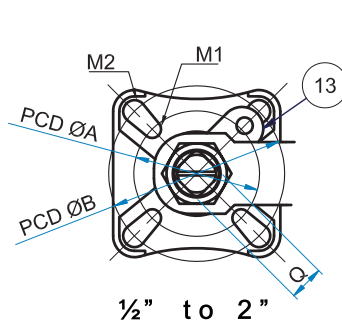
Size	½"	¾"	1"	1¼"	1½"	2"	2½"	3"	4"	5"	6"
Torque	5.0	8.0	10.5	15.0	20.5	31.0	37.0	62.0	97.0	160.0	210.0

Further dimensional information and pressure/temperature charts on next page

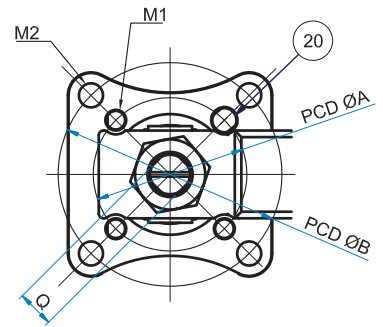
Carbon Ball Valve - Flanged PN16 - ISO Top

LV 8635

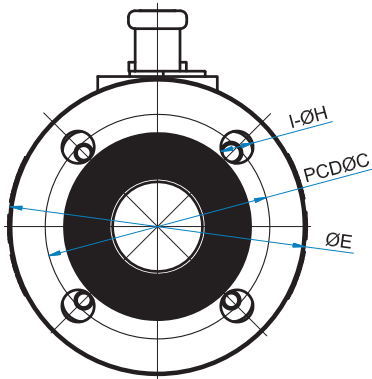
Topworks Dimensions					
Size	A	B	M1	M2	Q
1/2"	42	-	Ø6	-	9
3/4"	42	50	R3	R3.5	9
1"	42	50	R3	R3.5	11
1 1/4"	50	70	R3.5	R4.5	14
1 1/2"	50	70	R3.5	R4.5	14
2"	50	70	R3.5	R4.5	14
2 1/2"	70	102	Ø9	Ø11	17
3"	70	102	Ø9	Ø11	17
4"	70	102	Ø9	Ø11	17
5"	102	125	Ø12	Ø14	27
6"	102	125	Ø12	Ø14	27



1/2" to 2"



2 1/2" to 6"



Flange Dimensions			
Size	C	E	I-H
1/2"	65	95	4 - 14
3/4"	75	105	4 - 14
1"	85	115	4 - 14
1 1/4"	100	140	4 - 18
1 1/2"	110	150	4 - 18
2"	125	165	4 - 18
2 1/2"	145	185	4 - 18
3"	160	200	8 - 18
4"	180	220	8 - 18
5"	210	250	8 - 18
6"	240	285	8 - 22

