

Brass Ball Valve - Angle Pattern - EN331 Gas Approved

LV7321

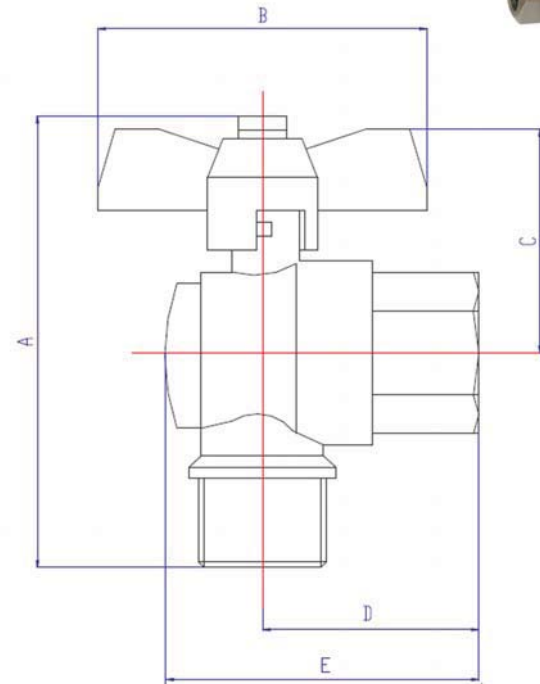
Screwed BSPP Male x Female, Nickel Plated Brass Body, Full Bore, Angle Pattern, Yellow Butterfly Handle



Pressure / Temperature Specifications	
Pressure	PN40 (Liquid)
	PN5 (Gas)
Gas Temperature	-20°C to 60°C
Liquid Temperature	-20°C to 110°C

Material Specifications	
Body, Sleeve	CW617N Brass
Stem	CW614N Brass
Ball	Chrome CW617N Brass
Seats	PTFE
O-ring	PTFE
O-ring	NBR
Lever	Aluminium
Screw	Zinc Plated Steel

Dimensions						
Size	A	B	C	D	E	Kg
1/2"	82.5	50	40.5	29.1	46	0.32
3/4"	91.5	61	46.5	36.9	58	0.52



All information is sourced from our manufacturer's data and is intended for guidance only - Leengate Valves can accept no liability for changes, omissions or errors.