

Brass Ball Valve - Angle Pattern - EN331 Gas Approved

LV 7320

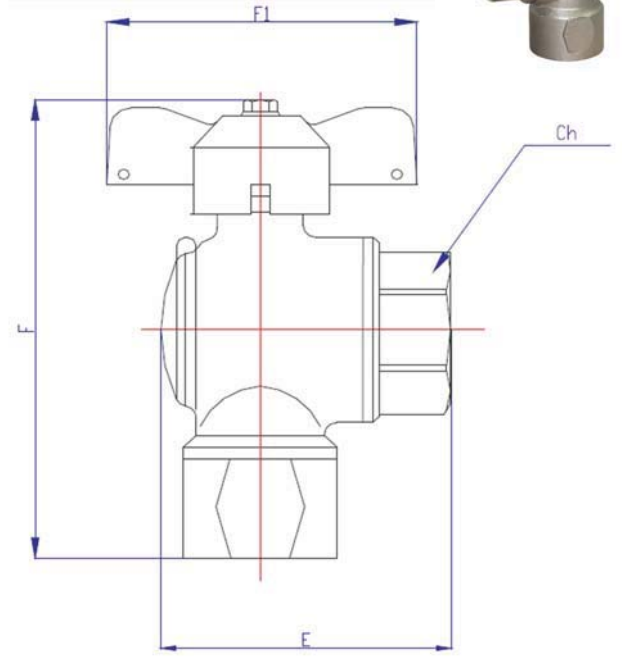
Screwed BSPP, Nickel Plated Brass Body, Full Bore, Angle Pattern, Yellow Butterfly Handle



Pressure / Temperature Specifications	
Pressure	PN40 (Liquid)
	PN5 (Gas)
Gas Temperature	-20°C to 60°C
Liquid Temperature	-20°C to 110°C

Material Specifications	
Body, Sleeve	CW617N Brass
Stem	CW614N Brass
Ball	Chrome CW617N Brass
Seats	PTFE
O-ring	PTFE
O-ring	NBR
Lever	Aluminium
Screw	Zinc Plated Steel

Dimensions					
Size	F1	F	E	CH	Kg
1/2"	50	77	45	26	0.32
3/4"	61	89.5	57	32	0.52



All information is sourced from our manufacturer's data and is intended for guidance only - Leengate Valves can accept no liability for changes, omissions or errors.