

Stainless Steel Ball Valve - Wafer to suit PN16

LV6340

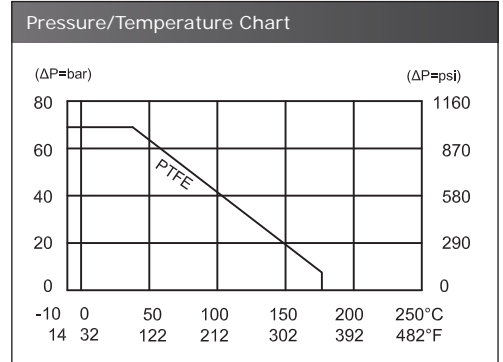
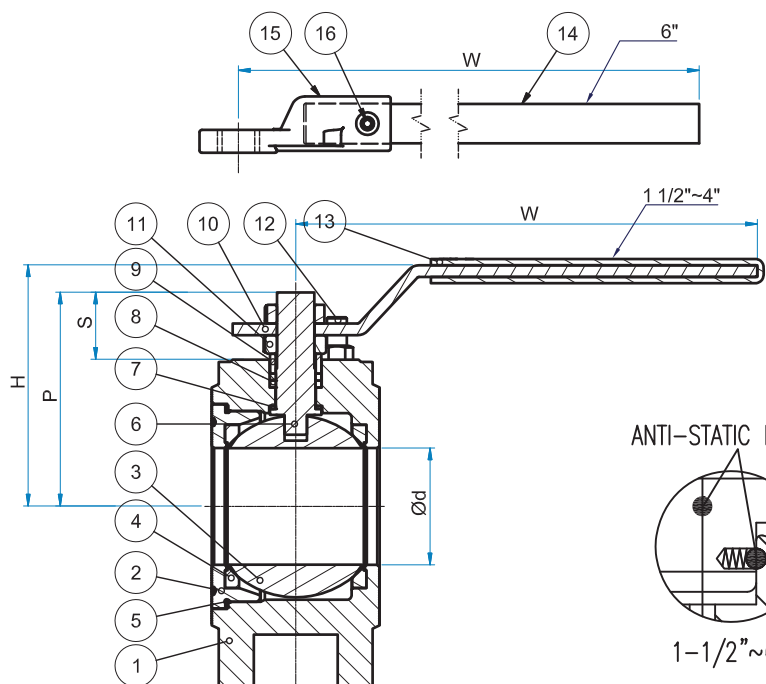
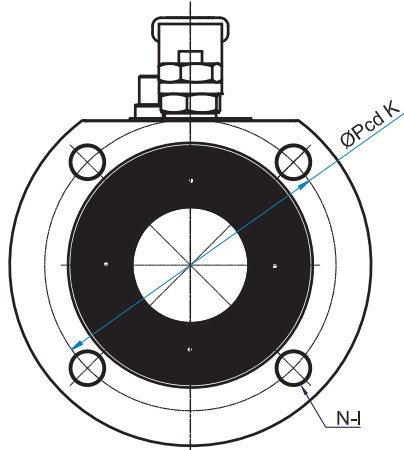
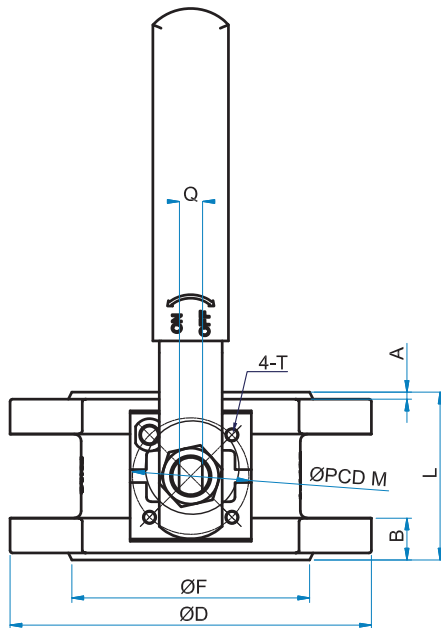
Wafer to suit PN16, Full Bore, CF8M Stainless Steel Body, Ball & Stem,
PTFE Seats & Seals, Anti-blowout Stem. *Note: 6" Bore is Reduced



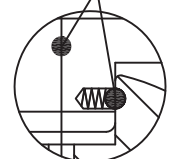
Pressure / Temperature Specifications	
Pressure	PN16
Temperature	-10°C to 180°C

Material Specifications					
1	Body	CF8M Stainless Steel	9	Stem Ring	304 Stainless Steel
2	Insert	CF8M Stainless Steel	10	Handle	1½" to 4" - 430 Stainless Steel
3	Ball	CF8M Stainless Steel	11	Stem Nut	304 Stainless Steel
4	Seats	PTFE	12	Stop Pin	304 Stainless Steel
5	Joint Gasket	PTFE	13	Handle Cover	1½" to 4" - PVC
6	Stem	316 Stainless Steel	14	Handle Bar	6" 304 Stainless Steel
7	Thrust Washer	PTFE	15	Handle	6" 304 Stainless Steel
8	Stem Packing	PTFE	16	Nut	304 Stainless Steel

Dimensions																	
Size	ØD	B	Ød	ØF	A	N-I	H	ØK	L	ØM	P	Q	S	T	W	Kg	
1½"	145	16	38	88	3	4-M16	96	110	62	50	84.4	10	29.2	M6	198	4.0	
2"	155	18	50	102	3	4-M16	104	125	72	50	91.8	10	28.8	M6	198	5.4	
2½"	185	18	65	122	3	4-M16	122	145	94	70	100.7	12	35.9	M8	248	9.2	
3"	200	20	76	138	3	8-M16	153	160	118	70	131.3	12	36.8	M8	283	13.5	
4"	220	20	96	158	3	8-M16	164	180	140	70	142.2	12	37.2	M8	333	19.3	
6"	285	22	125*	215	3	8-M20	185	240	182	102	181	17	51.4	M10	542	57.0	



ANTI-STATIC DEVICE



1-1/2"~6"