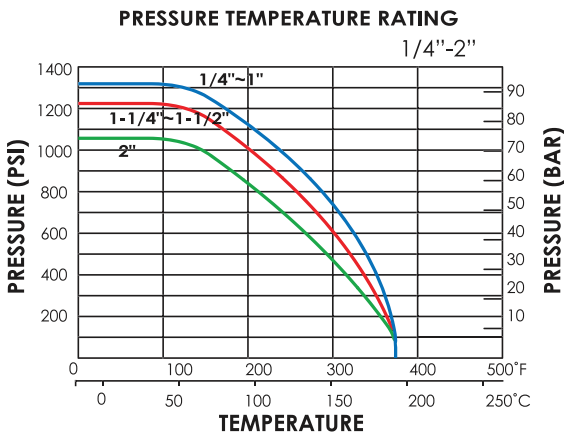
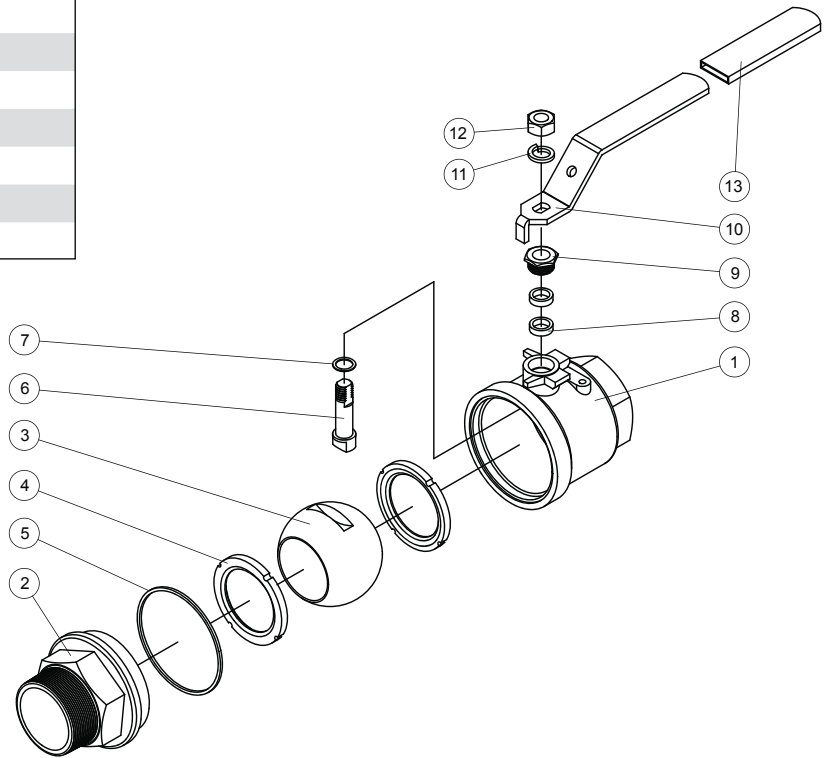


Stainless Steel Ball Valve – Two-Piece Male x Female

Screwed BSPP Male x Female, Full Bore, Stainless Steel Body, Ball & Stem, PTFE Seats & Seal, Anti-blowout Stem.

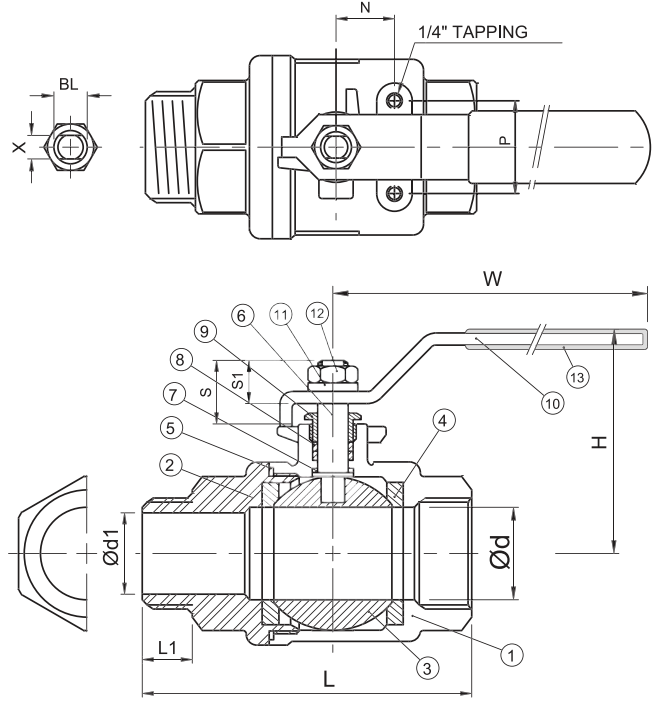
Pressure/Temperature Ratings	
Pressure	PN63 Rated
Temperature	-10°C to 180°C

Material List		
No#	Part	Material
1	Body	Stainless Steel ASTM-A351-CF8M
2	Cap	Stainless Steel ASTM-A351-CF8M
3	Ball	Stainless Steel ASTM-A351-CF8M
4	Ball Seat	15% R-PTFE
5	Joint Gasket	PTFE
6	Stem	Stainless Steel AISI 316
7	Thrust Washer	PTFE
8	Stem Packing	PTFE
9	Gland Nut	Stainless Steel AISI 304
10	Handle	Stainless Steel AISI 304
11	Spring Washer	Stainless Steel AISI 304
12	Stem Nut	Stainless Steel AISI 304
13	Handle Sleeve	Plastic



Dimensional Information on Page 2

Stainless Steel Ball Valve – Two-Piece Male x Female



Dimensions															
Size	Ød	Ød1	L	L1	H	W	S	S1	X	BL	N	P	Cv	Torque	
1/4"	11.6	7	58	12.6	51	99	16.5	10.2	5	5/16"	12.5	28.5	6.6	40	
3/8"	12.7	8.5	59	13.2	51	102	16.5	10.2	5	5/16"	12.5	28.5	7.9	40	
1/2"	15	12.5	68	16.7	53	102	16.5	10.2	5	5/16"	12.5	28.5	11.2	54	
3/4"	20	17.5	78	18.2	59	122	20	13.5	6.5	3/8"	21	34.8	21	74	
1"	25	23.6	99	21	73	157	23.5	16	8	7/16"	22.5	34.8	35	104	
1 1/4"	32	30.8	112.4	23.5	78	135	23.5	16	8	7/16"	23.5	38.1	57	135	
1 1/2"	38	36.6	114	23.5	91	191	25.5	17	9	1/2"	23.5	38.1	80	180	
2"	50	47.5	151.7	27.8	99	165	25.5	17	9	1/2"	23.5	38.1	148	250	