

# Ductile Iron Ball Valve - Flanged PN16 - EN331 Gas Approved

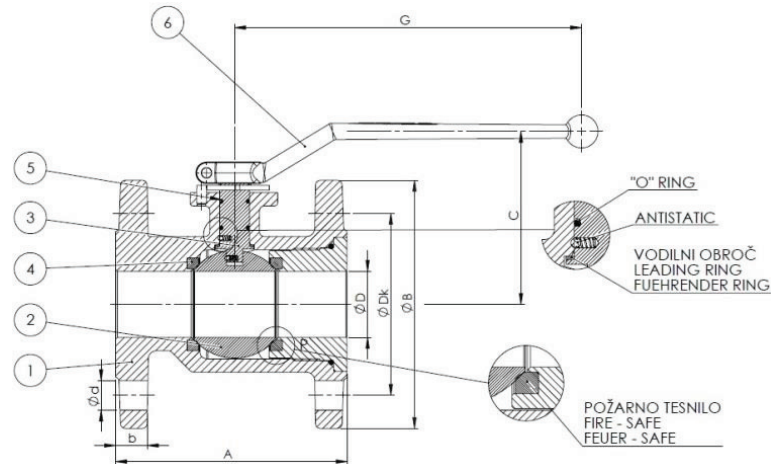
LV 5555

Flanged PN16, Ductile Iron 2 Piece Body, Stainless Steel Ball & Stem, PTFE Seats, 1" to 6" Lever Operated, 8" to 12" Gearbox Operated, DIN 3202 F4 Face to Face 1" to 6", F5 8" to 12"

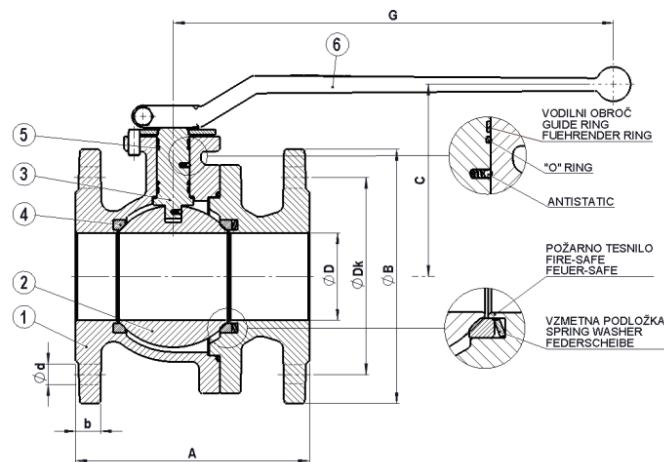


Pressure / Temperature	
Pressure	PN16
Gas Temperature	-20°C to 60°C

Material Specifications			
1. Body	GGG40 Ductile Iron	4. Seats	PTFE
2. Ball	A304 Stainless Steel	5. O-ring	Viton
3. Stem	A420 Stainless Steel	6. Handle	AI6061 Aluminium



1" to 2" Dimensions												
DN	A	B	C	D	G	b	Dk	d	no	ISO	K x h	Kg
1"	125	115	83	25	158	18	85	14	4	F04	11 x 13.5	3.6
1 1/4"	130	140	102	32	180	18	100	18	4	F05	14 x 18	5.4
1 1/2"	140	150	107	40	180	18	110	18	4	F05	14 x 18	6.7
2"	150	165	120.5	50	210	20	125	18	4	F05	14 x 18	8.9

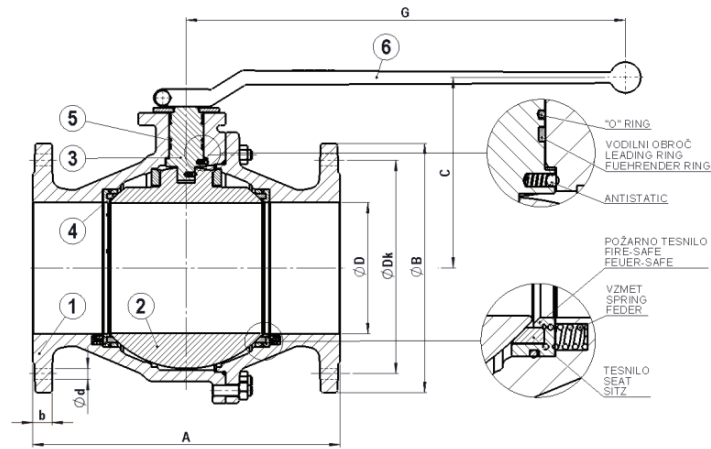


2 1/2" to 4" Dimensions												
DN	A	B	C	D	G	b	Dk	d	no	ISO	K x h	Kg
2 1/2"	170	185	140	63.5	320	18	145	18	4	F07	17 x 23	14.7
3"	180	200	151	78	320	20	160	18	8	F07	17 x 23	20.1
4"	190	220	166	99	320	20	180	18	8	F07	17 x 23	26.0

6" to 12" Dimensions on next page

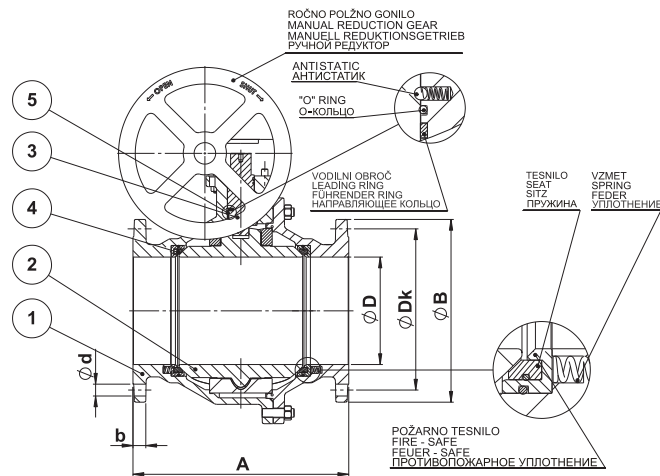
# Ductile Iron Ball Valve - Flanged PN16 - EN331 Gas Approved

LV 5555



5" & 6" Dimensions

DN	A	B	C	D	G	b	Dk	d	no	ISO	K x h	Kg
5"	325	250	201	124	500	22	210	18	8	F10	22 x 27	50.0
6"	350	285	218	149	500	22	240	22	8	F10	22 x 27	69.5



8" to 12" Dimensions

DN	A	B	D	b	Dk	d	no	ISO	K x h	Kg
8"	400	340	200	24	295	22	12	F12	K30	144.0
10"	450	405	250	26	355	26	12	F14	K36	235.0
12"	500	460	300	29	410	26	12	F14/16	K36	329.00