

Brass Ball Valve - Standard Pattern - with Neck Extension

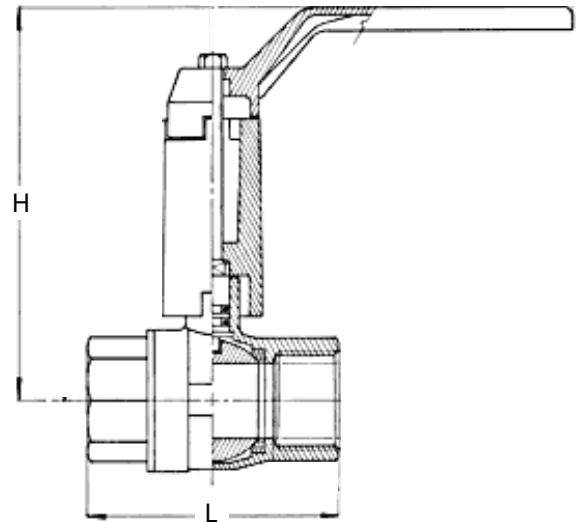
LV4179

Screwed BSPP, Nickel Plated Body, Full Bore, Red Aluminium Lever, with Neck Extension

Pressure / Temperature Specifications	
Pressure	PN40 ¼" to ½"
	PN32 ¾" & 1"
	PN25 1¼" & 2½"
	PN16 3" & 4"
Temperature	-20°C to 110°C

Material Specifications	
Body	Nickel Plated Brass CW 617 N
Body End	Nickel Plated Brass CW 617 N
Ball	Chrome Plated Brass CW 617 N
Seats	PTFE
O-ring	NBR
Stem	Brass CW 614 N
Lever	Aluminium
Screw	Zinc Plated Steel
Extension Spindle	Cast Aluminium

Dimensions		
Size	H	L
¼"	TBC	38
¾"	TBC	42
½"	107	48
¾"	113	57
1"	117	69
1¼"	133	79
1½"	148	89
2"	161	109
2½"	TBC	126
3"	TBC	147
4"	TBC	177



Further valve detail can be found on our LV4170 datasheet