

# Brass Mini Ball Valve



LV 4010

Screwed BSPP Male x Male, Polished Chrome Plated Finish, Reduced Bore, Short Handle



## Pressure / Temperature Specifications

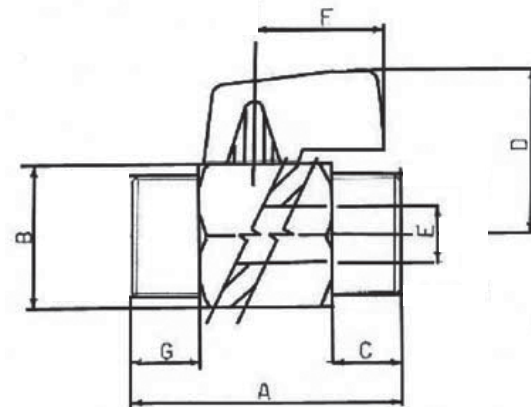
Pressure	PN16
Temperature	-10°C to 90°C

## Material Specifications

Body	Nickel Plated Brass
Sleeve	Brass
Ball	Nickel Plated Brass
Seat	PTFE
Stem O-ring	NBR

## Dimensions

DN	G	C	A	E	B	D	F	Kg
¼"	9	9	42	8	21	12.5	18	0.06
⅜"	9	9	42	8	21	12.5	21	0.07
½"	10.5	10.5	50	10	25	14.5	24	0.11



All information is sourced from our manufacturer's data and is intended for guidance only - Leengate Valves can accept no liability for changes, omissions or errors.