

Brass Mini Ball Valve



LV 4005

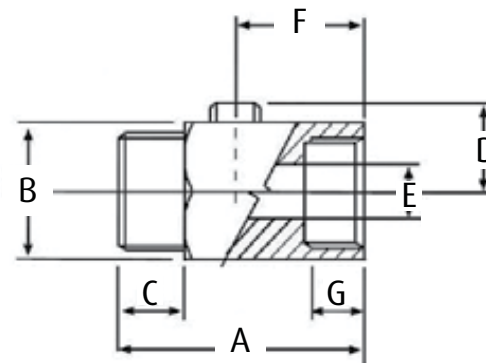
Screwed BSPP Male x Female, Polished Chrome Plated Finish, Reduced Bore, Screwdriver Slot



Pressure / Temperature Specifications	
Pressure	PN16
Temperature	-10°C to 90°C

Material Specifications	
Body	Nickel Plated Brass
Sleeve	Brass
Ball	Nickel Plated Brass
Seat	PTFE
Stem O-ring	NBR

Dimensions								
DN	G	C	A	E	B	D	F	Kg
1/8"	9	9	39	6	21	12.5	18	0.08
1/4"	9	9	39	8	21	12.5	18	0.07
3/8"	9	9	40	8	21	12.5	21	0.07
1/2"	10.5	10.5	45	10	25	14.5	24	0.1
3/4"	13.5	13.5	51	12	30	17.0	27	0.17



All information is sourced from our manufacturer's data and is intended for guidance only - Leengate Valves can accept no liability for changes, omissions or errors.