

## Brass Pressure Reducing Valve – Union Ends

BSPF Female Union Ends, with 1/4" Gauge Port

### Pressure/Temperature Details

Max Inlet	25 Bar
Max Outlet	0.5 - 6 Bar
Temperature	-10°C to 130°C

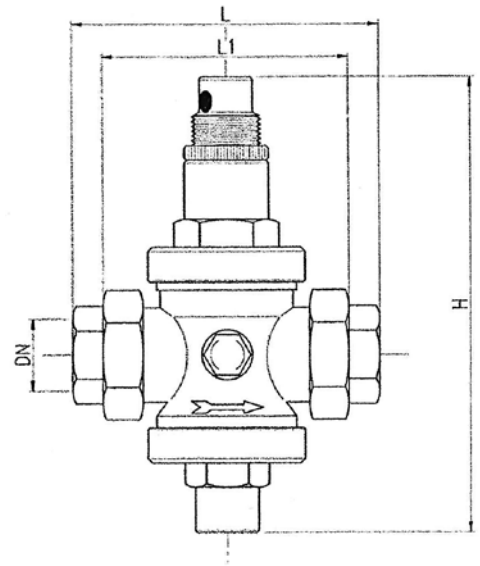
### Material List

Body	Brass CW617N UNI EN 12165 - CB7535 EN 1984
Internals	Brass CW614N UNI EN 12164
Seat	Stainless Steel 303
Stem	Brass CW614N UNI EN 12164 / Stainless Steel 303*
O-rings	Viton
Flat Gaskets	Fasit Italy
Plastic Parts	Ultramid A3K (BASF)

\* 1 1/4" to 2"

### Dimensions

DN	L	L1	H	Kg
1/2"	112	75	120	0.96
3/4"	135	88	160	1.65
1"	140	93	166	1.85
1 1/4"	170	110	220	3.4
1 1/2"	175	110	220	3.5
2"	200	130	250	5.11



# Brass Pressure Reducing Valve – Union Ends

DISCHARGE AND HEADLOSS CHART:

